



江苏苏鑫管夹制造有限公司  
Jiangsu Susen Clamps Manufacturing Co., Ltd.

本产品符合国家重型机械标准  
All of our products meet national standards on heavy machinery.

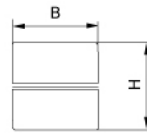
执行国标 ( Acc.to national standard ) :JB/ZQ4008-2006

SXB\*3小型单孔管夹

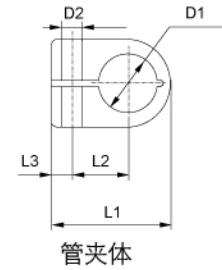
SXB\*3 Small Single-hole Pipe Clamp

压缩空气管路、船舶、车辆、机械制造、电缆、软管、测量和控制设备机床等使用。  
Applicable for compressed air pipeline, ships, vehicles, machine manufacturing, cables, hoses, measuring and control equipment and machine tools.

- 1、SXBP4- 工程聚丙烯轻型内孔凹槽型管夹工作温度 -30~+90°C
- 1、SXBP4\_Engineering polypropylene grooved inside light pipe clamps, work temperature -30 ~ +90°C
- 2、SXBN4- 增强尼龙轻型内孔凹槽型管夹工作温度 -40~+120°C
- 2、SXBN4\_Reinforced polyamide grooved inside light pipe clamps, work temperature -40 ~ +120°C



盖板



管夹体

本公司可根据客户要求 ( 设计 ) 生产或使用其它材料和管径。  
Manufacture (design) or use other materials and pipe diameters upon customer' s request.

系列 Series	订货号 Order code	管外径D1 Pipe O.D D1	英寸内径 I.D. ,inch	英寸外径 Inch O.d.	L1	L2	L3	B	H	D2
1	SXB*3-106	06			22	9	7	14.5	13.5	7
	SXB*3-106.4	06.4		1/4						
	SXB*3-108	08								
2	SXB*3-208	08		3/8	27	11	7	14.5	18.5	7
	SXB*3-209.5	09.5								
	SXB*3-210	10	1/8							
	SXB*3-212	12		1/2						
	SXB*3-212.7	12.7								
3	SXB*3-310	10	1/8		33	15	7	14.5	23.5	7
	SXB*3-312	12								
	SXB*3-312.7	12.7		1/2						
	SXB*3-313.5	13.5	1/4							
	SXB*3-314	14								
	SXB*3-315	15								
	SXB*3-316	16		5/8						
4	SXB*3-414	14			40	19	7	14.5	30.5	7
	SXB*3-415	15								
	SXB*3-416	16		5/8						
	SXB*3-417.2	17.2								
	SXB*3-418	18	3/8							
	SXB*3-419	19		3/4						
	SXB*3-420	20								
	SXB*3-421.3	21.3								
	SXB*3-422	22	1/2	1						

如使用不同的形式或其它要求请在订货时说明  
Other forms or requirements need to be expressed by ordering.

符合德标: DIN3015  
Acc. to German standard: DIN3015

执行国标 ( Acc.to national standard ) : JB/ZQ4008-2006

SXB\*4小型双孔管夹

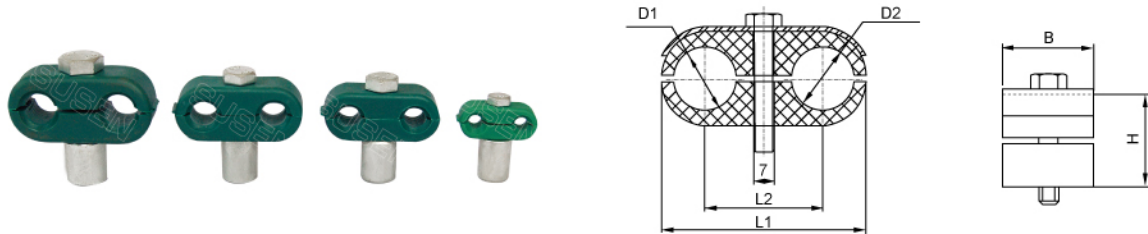
SXB\*4 Small Double-holes Pipe Clamp

压缩空气管路、船舶、车辆、机械制造、电缆、软管、测量和控制设备机床等使用。  
Applicable for compressed air pipeline, ships, vehicles, machine manufacturing, cables, hoses, measuring and control equipment and machine tools.

- 1、SXB\*4- 工程聚丙烯轻型内孔凹槽型管夹 工作温度 -30~+90°C
- 1、SXB\*4\_Engineering polypropylene grooved inside light pipe clamps, work temperature -30 ~ +90°C
- 2、SXB\*4-polypropylene H 型内孔凹槽型管夹 工作温度 -40~+120°C
- 2、SXB\*4\_Polypropylene H type grooved inside light pipe clamps, work temperature -40 ~ +120°C

说明：在同一系列外径可不同。例如、φ 16、φ 18SXB\*4-216/218

Note:the pipe outer diameter in the same series can be different. Eg. φ 16, φ 18SXB \* 2-216/218



本公司可根据客户要求 ( 设计 ) 生产或使用其它材料和管径。 Different materials and pipe diameters upon request

系列号 Series	订货号 Order code	管外径D1 Pipe O.D D1	英寸内径 I.D. ,inch	英寸外径 Inch O.d.	L1	L2	B	H
1	SXB*4-106/106	06			32	18	14.5	13.5
	SXB*4-106.4/106.4	06.4		1/4				
	SXB*4-108/108	08						
2	SXB*4-208/208	08		3/8	41	22	14.5	18.5
	SXB*4-209.5/209.5	09.5						
	SXB*4-210/210	10	1/8					
	SXB*4-212/212	12		1/2				
	SXB*4-212.7/212.7	12.7						
3	SXB*4-310/310	10	1/8		54	30	14.5	23.5
	SXB*4-312/312	12						
	SXB*4-312.7/312.7	12.7		1/2				
	SXB*4-313.5/313.5	13.5	1/4					
	SXB*4-314/314	14						
	SXB*4-315/315	15						
	SXB*4-316/316	16		5/8				
4	SXB*4-414/414	14			7	38	14.5	30.5
	SXB*4-415/415	15						
	SXB*4-416/416	16		5/8				
	SXB*4-417.2/417.2	17.2	3/8					
	SXB*4-418/418	18						
	SXB*4-419/419	19		3/4				
	SXB*4-420/420	20						
	SXB*4-421.3/421.3	21.3	1/2					
SXB*4-422/422	22		1					

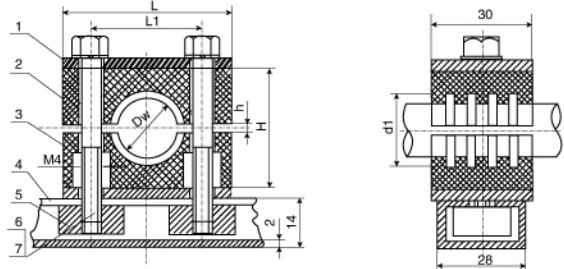
如使用不同的形式或其它要求请在订货时说明  
Other forms or requirements need to be expressed by ordering.

符合德标: DIN3015  
Acc. to German standard: DIN3015

执行船舶标准 Executive Shipping Standard

TC、TD型管子吊架 TC、TD Type pipe hanger

Tc型管子吊架结构和基本尺寸  
Tc type pipe hanger structure and basic size



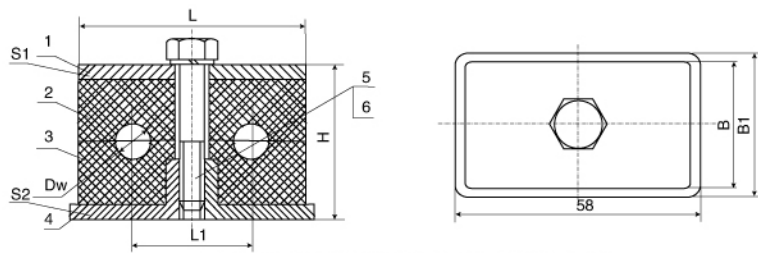
1-压板; 2-上本体; 3-下本体; 4-导轨; 5-螺母; 6-螺栓; 7-垫圈  
1-Platen; 2-Upper Body; 3-Lower Body; 4-Guide Rail; 5-Nut; 6-Bolt; 7-Washer

Tc型管子吊架基本尺寸  
Basic Size of Tc Type Pipe Hanger

适用管子外径Dw OD of Applicable Pipe Dw	结构尺寸 Structure and Size					重量 kg Weight kg
	d1	L	L1	H	h	
8	10	40	24	26	2.0	0.19
10	12					0.20
12	14					0.21
14	16					0.24
16	18	46	30	32	2.5	0.25
18	20					0.26
20	22	50	34	35	2.5	0.27
22	24					0.28
25	27					0.30
28	30	56	40	42	3.0	0.31
30	32					0.32
35	37	62	47	50	0.37	
38	40	65	50	52	0.40	

注: 所列重量不包括导轨、螺栓重量。 Note: The weight does not include the weight of guide rails and bolts.

Td型管子吊架结构和基本尺寸  
Td type pipe hanger structure and basic size



1-压板; 2-上本体; 3-下本体; 4-垫板; 5-螺栓; 6-垫圈  
1-Platen; 2-Upper Body; 3-Lower Body; 4-Base Plate; 5-Bolt; 6-Washer

Td型管子吊架基本尺寸  
Basic Size of Td Type Pipe Hanger

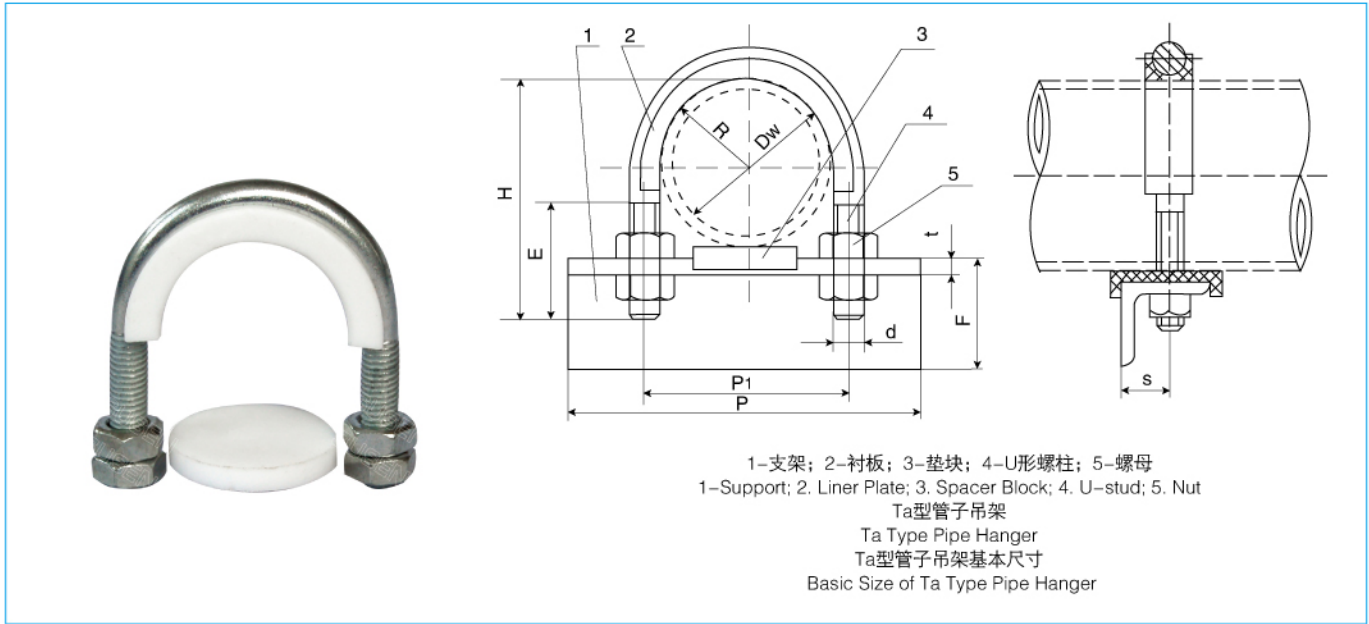
适用管子外径Dw OD of Applicable Pipe Dw	结构尺寸 Structure and Size						
	L	L1	H	B	B1	S1	S2
6	56	28	32	30	32	3	3
8							
10							
12							
14							
16							
18							

如果使用不同的形式或不同的材质要求, 请在订货时说明。  
Please specify when order if different types or materials are required

如使用不同的形式或其它要求请在订货时说明  
Other forms or requirements need to be expressed by ordering.

执行船舶标准 Executive Shipping Standard

Ta型管子吊架 Ta Type pipe hanger



U型螺柱 U-Stud		管子外径Dw OD of Pipe D	Ta型管子吊架基本尺寸 Basic Size of Ta Type Pipe Hanger								重量 Kg Weight Kg
R	d		H	E	P	t	P1	F	t	s	
15	M8	22.0	45	30	80	5	38	40	5	22	0.09
18		27.0	50		88		44				0.13
21		34.0	55		96		50				0.15
25	M10	42.0	65	34	104	6	60	50	6	30	0.21
28		48.0	70		110		66				0.29
34		60.0	85		120		78				0.35
42	M12	76.0	105	45	154	7	96	63	8	35	0.39
49		89.0	115		167		110				0.58
61	M16	114.0	145	55	204	8	138	80	10	40	0.93
74		140.0	175		230		164				1.37
88	M20	168.0	205	60	258	10	196	90	10	50	1.86
101		194.0	230		300		222				2.37
114		219.0	255		324		248				2.63
127		245.0	285		348		274				2.95
141		273.0	310		378		302				3.30
167	M24	325.0	370	74	454	12	358	100	12	50	5.59
182		355.6	400		484		388				6.85
193		377.0	420		504		410				8.63
207		406.4	450		534		438				9.73
217		426.0	470		554		458				10.55
233	M30	457.0	505	80	592	12	496	125	12	50	10.97
244		480.0	530		570		518				11.63
258		508.0	560		642		546				11.98
269		530.0	580		650		568				12.19
284		558.8	610		700		598				13.22
	560.0				13.70						
309		610.0	660	744	648	14.50					
319		630.0	680	770	668	14.97					

注: 所列重量为U形螺柱重量。 Note: The weight listed is the weight of U-stud.

如使用不同的形式或其它要求请在订货时说明  
Other forms or requirements need to be expressed by ordering.

注: 所列重量为U形螺柱重量。 Note: The weight listed is the weight of U-stud.



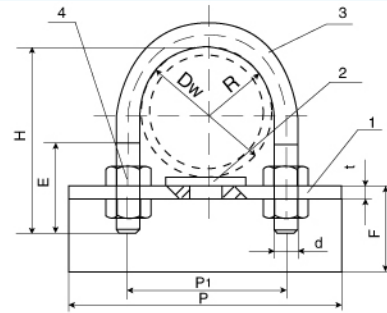
江苏苏鑫管夹制造有限公司  
Jiangsu Susen Clamps Manufacturing Co., Ltd.

本产品符合国家重型机械标准  
All of our products meet national standards on heavy machinery.

执行船舶标准 Executive Shipping Standard

Tb型管子吊架 Tb Type pipe hanger

Tb型管子吊架结构和基本尺寸  
Tb type pipe hanger structure and basic size



1-支架; 2-垫块; 3-U形螺栓; 4-螺母  
1-Support; 2-Spacer Block; 3-U-stud; 4-Nut  
Tb型管子吊架  
Tb Type Pipe Hanger  
Tb型管子吊架基本尺寸  
Basic Size of Tb Type Pipe Hanger

U型螺栓 U-Stud		管子外径Dw OD of Pipe D	Tb型管子吊架基本尺寸 Basic Size of Tb Type Pipe Hanger						重量 Kg Weight Kg	
R	d		H	E	P	P1	F	t		
12.5	M8	24.0	45	25	59	33	40	5	0.06	
13.5		61			35	0.09				
16.0		68			40	0.12				
17.0		70			42	0.13				
20.0	M10	38.0	60	30	80	50		0.14		
23.0		44.5	70	32	86	56		0.20		
28.5	M12	55.0	80	35	100	69	50	6	0.25	
29.5		57.0			110	71			0.29	
36.0		70.0	95	124	84	0.37				
39.0		76.0	100	130	90	0.55				
43.5		85.0	110	140	99	0.61				
45.5		89.0	115	143	103	0.65				
53.5	M16	105.0	135	45	163	123	63	8	0.79	
55.0		108.0			166	126			0.83	
66.5		130.0	160	190	149	0.92				
68.0		133.0	165	192	152	0.94				
79.0		155.0	185	220	174	1.22				
81.0		159.0	190	280	178	1.30				
104.5	M20	206.0	245	60	300	229	80	10	2.31	
111.0		219.0			260	242			2.47	
130.5		258.0	300	70	344	281			2.52	
131.5		260.0			283	2.61				
135.0	267.0	310	344	290	3.13					
155.5	M30	308.0	355	80	395	335	90	12	4.88	
163.5		323.9			418	351			5.73	
181.5		360.0			406	455			387	6.65
185.5		368.0			415	463			395	7.75
211.0	M30	419.0	475	100	532	452	100	10	10.28	
219.0		429.0			495	548			468	11.33
231.0	M30	457.0	520	100	572	492	100	12	12.48	
257.5		508.0			575	622			545	13.97
269.5	M30	530.0	600	100	649	569	125	12	15.37	
306.5		610.0			685	723			643	17.13
321.5	M36	635.0	715	140	769	679	125	12	22.40	
359.5		711.0	790		845	755			24.12	
373.5		738.0	820		873	783			26.33	
411.0		813.0	895		948	858			28.01	
426.0		842.0	925		978	888			29.33	
462.0		914.0	990		1050	960			30.15	
478.0		945.0	1025		1082	992			32.63	
513.0		1016.0	1100		1152	1062			34.26	
530.0		1048.0	1300		1186	1096			140	36.15

注: 所列重量为U形螺栓重量。 Note: The weight listed is the weight of U-stud.

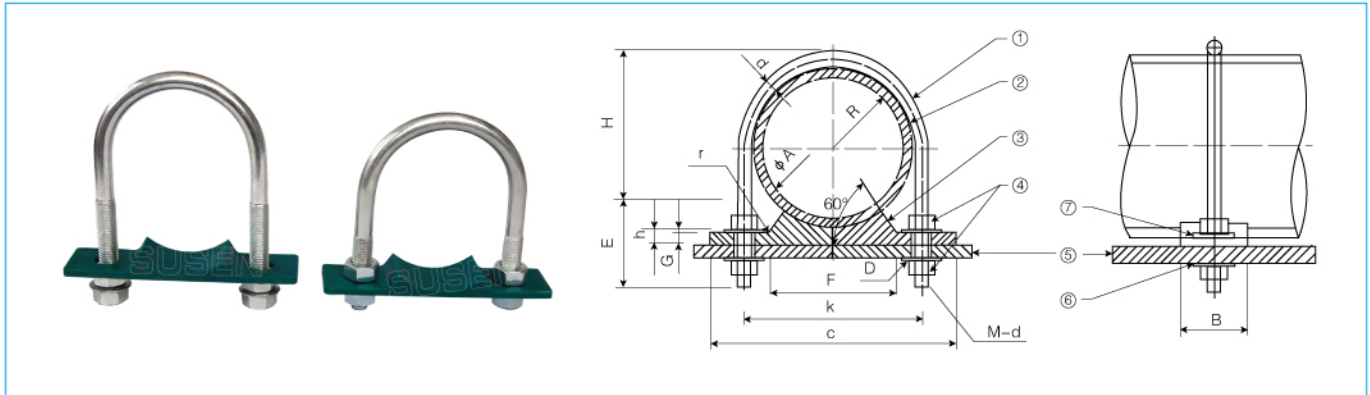
如使用不同的形式或其它要求请在订货时说明  
Other forms or requirements need to be expressed by ordering.

执行船舶标准 Executive Shipping Standard

## 海洋工程/船用U型管夹 U-clamps for Marine Works/Shipping

应用于：液压管道的U型螺栓和塑料基座

Applicable for: U-bolts and plastic foundation support of hydraulic pipes.



尺寸表  
Size Table

单位: mm  
Unit: mm

管道 Pipe		R	d	E	H	C	B	K	F	G	h	r	M-d	D
标称直径 Nominal Diameter	外径 OD													
65A	76.3	40	12	45	60	135	35	92	60	4	6	5	M12	15
80A	89.1	46	12	45	75	145	40	104	70	4	6	10	M12	15
100A	114.3	59	16	60	90	190	40	134	85	4	6	10	M16	19
125A	139.8	72	16	60	120	220	40	160	100	4	6	10	M16	19
150A	165.2	85	16	60	145	250	50	186	120	4	6	20	M16	19
200A	216.3	111	20	70	190	315	50	242	170	4	6	20	M20	23

编号 No.	说明 Description	尺寸 Size	材料 Material	数量 Quantity	重量 (Kg) Weight (kg)	涂漆部分 (M <sup>2</sup> ) Painting Part (M <sup>2</sup> )	备注 Remarks
1	U型螺栓 U-bolt	-	SS400 (SS41)	4	-	-	镀锌 Galvanized
2	液压管 Hydraulic Pipe	参 考 尺 寸 表	STPG370	-	-	-	
3	塑料基座 Plastic edestal		聚丙烯	1	-	-	
4	六角螺母 Hexagon Nut		SS400 (SS41)	4	-	-	镀锌 Galvanized
5	转交支杆 Angle Steel		SS400 (SS41)	-	-	-	造船厂供应 Supplier by Shipyard
6	弹簧垫圈 Spring Washer		SWRM17	2	-	-	镀锌 Galvanized
7	平垫圈 Flat Washer		SS400 (SS41)	2	-	-	镀锌 Galvanized

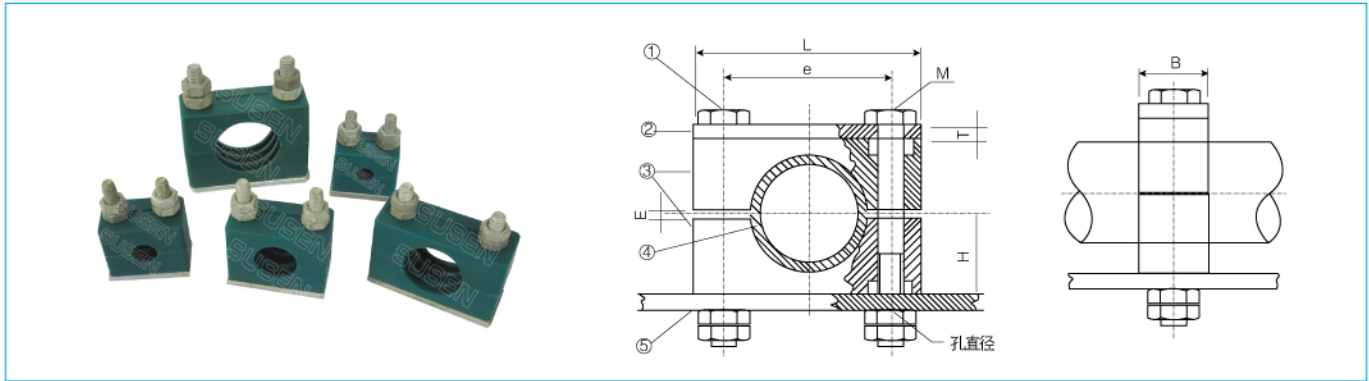
如使用不同的形式或其它要求请在订货时说明

Other forms or requirements need to be expressed by ordering.

执行船舶标准 Executive Shipping Standard

海洋工程/船用塑料管夹 Plastic Pipe Clamps for Marine Works/Shipping

7.17.1 精密管用塑料管夹（螺栓连接型）——单管式  
7.17.1 Plastic Clamp for Precision Tubes (Bolted Type) - Mono-tube Type



编号 No.	说明 Description	尺寸 Size	材料 Material	数量 Quantity	备注 Remarks
1	六角螺栓/2螺母 Hexagon Bolt/2Nuts	参照表格 Refer to Table	SS400	2	热浸电镀 Hot-dip Galvanized
2	顶板 Top Plate	参照表格 Refer to Table	SS400	1	热浸电镀 Hot-dip Galvanized
3	塑料管夹 Plastic Pipe Clamp	参照表格 Refer to Table	聚丙烯 PP	2	
4	转角支杆 Angle Steel	参照表格 Refer to Table	SS400	-	

单位: mm  
Unit: mm

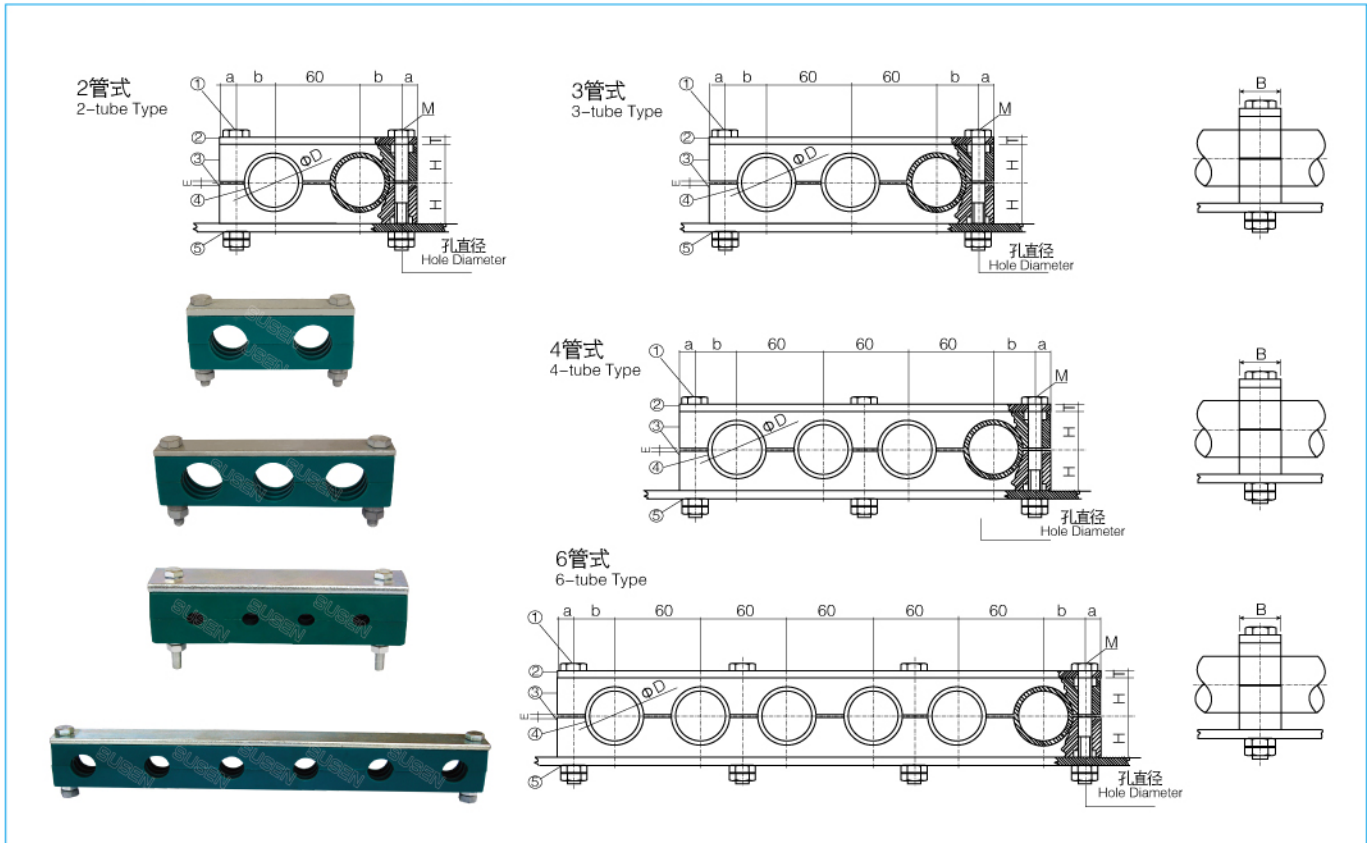
编号 No.	标称直径 Nominal Diameter	直径 (mm) Diameter (mm)	e	L	B	H	T	d	E	t=6 (转角) t=6 (Corner)	t=15 (转角) t=15 (Corner)	备注 Remarks
										M	M	
1	8	10	23	40	30	15	4.5	10	1.0	M8 × 56.5L	M8 × 65.5L	
2	10	12	26	43	30	16	4.5	10		M8 × 58.5L	M8 × 67.5L	
3	15	15	30	48	30	18	4.5	10		M8 × 62.5L	M8 × 71.5L	
4	15	18										
5	20	22	33	52	30	19	4.5	10		M8 × 64.5L	M8 × 73.5L	
6	25	28	40	58	30	21	4.5	10		M8 × 68.5L	M8 × 77.5L	
7	32	35	51	75	30	23	4.5	10		M10 × 76.5L	M10 × 85.5L	
8	40	42	58	83	30	23	4.5	10		M10 × 76.5L	M10 × 85.5L	

如使用不同的形式或其它要求请在订货时说明  
Other forms or requirements need to be expressed by ordering.

执行船舶标准 Executive Shipping Standard

海洋工程/船用多管式管夹 Multi-pipe Clamps for Marine Works/Shipping

精密管用塑料管夹（螺栓连接型）——多管式  
Plastic Clamp for Precision Tubes (Bolted Type) - Multi-tube Type



编号 No.	说明 Description	尺寸 Size	材料 Material	数量 Quantity	备注 Remarks
1	六角螺栓/2螺母 Hexagon Bolt/2Nuts	参照表格 Refer to Table	SS400	2	热浸电镀 Hot-dip Galvanized
2	顶板 Top Plate	参照表格 Refer to Table	SS400	1	热浸电镀 Hot-dip Galvanized
3	塑料管夹 Plastic Pipe Clamp	参照表格 Refer to Table	聚丙烯 PP	2	
4	转角支杆 Angle Steel	参照表格 Refer to Table		-	

单位: mm  
Unit: mm

编号 No.	标称直径 Nominal Diameter	直径(mm) Diameter (mm)	a	b	B	H	T	d	E	t=6 (转角) t=6 (Corner)	t=15 (转角) t=15 (Corner)	备注 Remarks
										M	M	
1	8	10	9	12	30	15	4.5	10	1.0	M8 × 56.5L	M8 × 65.5L	
2	10	12	9	13	30	16	4.5	10		M8 × 58.5L	M8 × 67.5L	
3	15	15	9	15	30	18	4.5	10		M8 × 62.5L	M8 × 71.5L	
4	15	18										
5	20	22	9	17	30	19	4.5	10		M8 × 64.5L	M8 × 73.5L	
6	25	28	9	20	30	21	4.5	10		M8 × 68.5L	M8 × 77.5L	
7	32	35	12	26	30	23	4.5	10		M10 × 76.5L	M10 × 85.5L	
8	40	42	13	29	30	30	4.5	10		M10 × 76.5L	M10 × 85.5L	

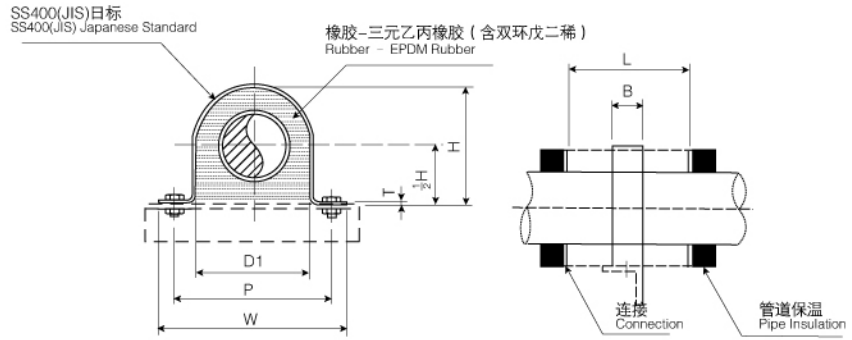
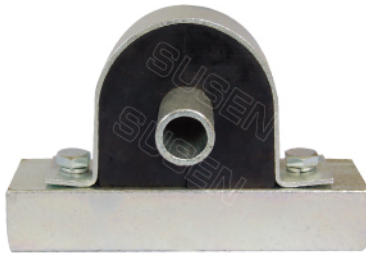
如使用不同的形式或其它要求请在订货时说明  
Other forms or requirements need to be expressed by ordering.



执行船舶标准 Executive Shipping Standard

海洋工程/船用橡胶管夹 Rubber Pipe Clamps for Marine Works/Shipping

适用于冷却水以及冷却管的支架  
Applicable for supports of cooling water pipes and cooling pipes  
JCS1-型 (适用于钢管类)  
JCS1-type (applicable for steel tubes)



单位: mm  
Unit: mm

美国标准 直管螺纹 NPS	管道 外径 Pipe OD	D1	B	P	W	H	L	R	T			F 管道 厚度=15t Pipe Thk=15t
										h	M	
15A	21.7	85	38	114	142	79	100	3	3.0	12	M10x35Lx30S	7.0
20A	27.2	90	38	120	148	85	100	3	3.0	12	M10x35Lx30S	7.0
25A	34.0	97	38	132	160	92	100	3	3.0	12	M10x35Lx30S	7.0
32A	42.7	106	38	144	172	101	100	4	4.5	12	M10x40Lx35S	10.5
50A	48.6	112	38	150	178	107	100	4	4.5	12	M10x40Lx35S	10.5
40A	60.5	124	38	174	202	118	100	4	4.5	12	M10x40Lx35S	10.5
65A	76.3	137	38	187	215	131	100	4	4.5	15	M10x40Lx35S	8.5
80A	89.1	153	50	203	239	147	100	4	4.5	12	M10x40Lx35S	8.5
100A	114.3	180	65	236	276	171	100	4	4.5	19	M16x45Lx40S	9.5
125A	139.8	208	65	274	314	198	100	5	4.5	19	M16x45Lx40S	9.5
150A	165.2	235	65	289	329	225	100	6	6.0	19	M16x45Lx40S	8.0
200A	216.3	286	75	343	383	276	100	6	6.0	23	M20x50Lx45S	9.0
250A	267.4	340	75	416	456	330	100	6	6.0	23	M20x50Lx45S	9.0
300A	318.5	391	90	465	515	380	100	6	6.0	27	M24x55Lx50S	10.0
350A	355.6	423	90	496	546	426	100	6	6.0	27	M24x55Lx50S	10.0
400A	406.4	473	100	550	600	463	100	6	6.0	27	M24x55Lx50S	10.0
450A	457.2	523	100	602	652	514	100	8	9.0	33	M30x65Lx60S	10.0
500A	508.0	575	100	652	652	565	100	8	9.0	33	M30x65Lx60S	10.0

注释

1. 该型号应适用于冷却水管以及冷却管  
1. This type is applicable for cooling water pipes and cooling pipes.
2. 螺栓材料: SS400 (JIS), 电镀 六角螺母材料: SS400 (JIS), 电镀  
2. Bolt Materials: SS400 (JIS), galvanic hexagon bolts: SS400 (JIS), galvanic

如使用不同的形式或其它要求请在订货时说明  
Other forms or requirements need to be expressed by ordering.

执行船舶标准 Executive Shipping Standard

海洋工程/船舶铜管管夹 Copper Pipe Clamps for Marine Works/Shipping

范围

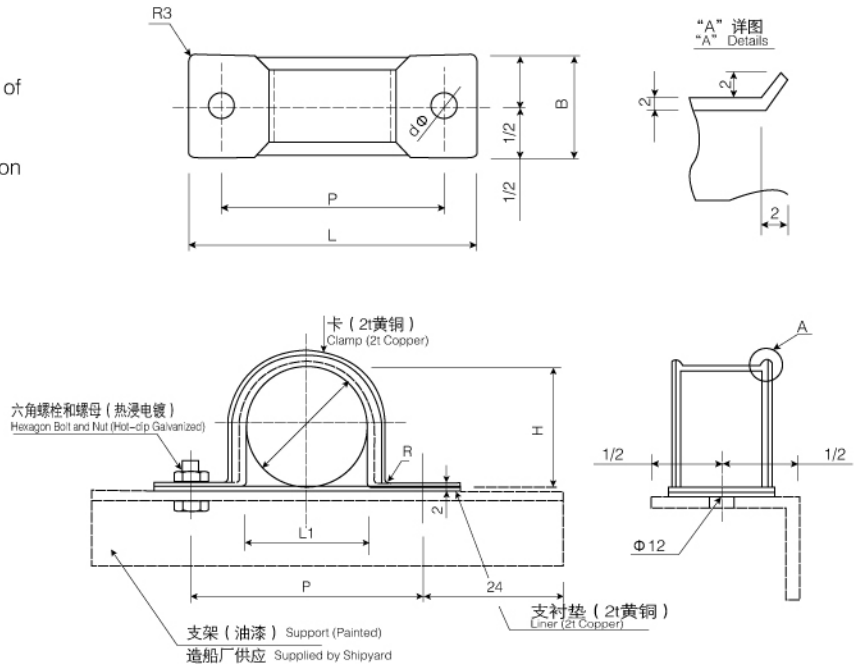
Range

该标准用于铜管卡CS-1

This standard is applicable for CS-1, clamps of copper pipes.

应用于：除氟利昂管以外的铜管

Applicable for: Copper pipes other than Freon pipes



尺寸  
Size

管道 Pipe		尺寸 Size							螺栓 Bolt	
内径 ID	外径 OD	L	P	H	L1	B	d	R	内径 ID	长度 Length
6A	10	70	46	10	10	25	9	2	M8	20
8A	12	70	46	12	12	25	9	2	M8	20
10A	15	70	46	15	15	25	9	2	M8	20
15A	20	70	46	20	20	25	9	3	M8	20
20A	25	85	62	25	25	25	9	3	M8	20
25A	30	85	62	30	30	25	9	3	M8	20
32A	35	100	74	35	35	25	9	3	M8	20
40A	45	100	74	45	45	32	9	3	M8	20
50A	55	125	92	55	55	32	12	3	M10	25

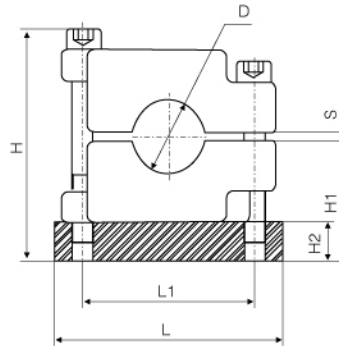
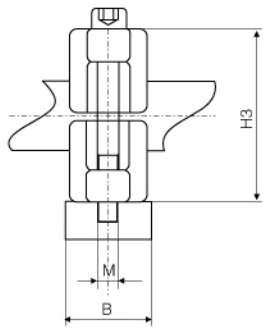
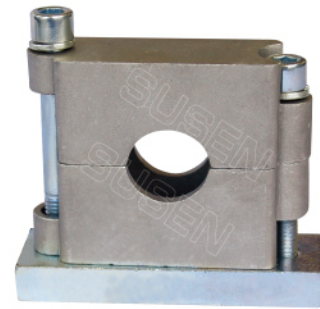
如使用不同的形式或其它要求请在订货时说明  
Other forms or requirements need to be expressed by ordering.

SXAL(A) 铝合金组合管夹 ( 国标 JB/ZQ4513-86 )  
SXAL(B) 铝合金组合管夹 ( 国标 JB/ZQ4514-86 )

SXAL(A)combined aluminum alloy pipe clamps ( national standard JB/ZQ4513-86 )  
SXAL(B)combined aluminum alloy pipe clamps ( national standard JB/ZQ4514-86 )

※订货示范 Order mode:

- 1、铝合金组合管夹单层管夹的为SXAL(A)  $\phi$  20 ( 不带底板 )
- 1、combined aluminum alloy one-layer pipe clamp SXAL(A)  $\phi$  20 (without plate)
- 2、铝合金组合管夹单层管夹的为SXAL(A)  $\phi$  20C ( 不带底板 )
- 2、combined aluminum alloy one-layer pipe clamp SXAL(A)  $\phi$  20C (with plate)
- 3、铝合金组合管夹多层管夹的为SXAL(A)  $\phi$  20  $\times$  20C、同规格内可用不同管径，最多五层。
- 3、combined aluminum alloy multi-layer pipe clamp SXAL(A)  $\phi$  20  $\times$  20C different pipe o.d. in the same series, five layers at most.
- 4、铝合金组合管夹SXAL(B)\*为SXAL(A)的半边管夹体。
- 4、combined aluminum alloy pipe clamp SXAL(B): half clamp body of SXAL(A)
- 5、如使用其它要求在订货时说明， $\phi$  219-- $\phi$  406使用国标JB/ZQ400897标准。
- 5、other requirements and upon request.  $\phi$  219-- $\phi$  406 acc. to national standard JB/ZQ400897.



系 列 series	订货代号 Order code	管外径 $\phi$ D Pipe O.D.	L1	L2	L3	H1	H2	B	S	S1	P	M
1	SXAL(*)	$\phi$ 6- $\phi$ 8	54	36	54	30	12	36	20	18	2	M6
2	SXAL(*)	$\phi$ 10- $\phi$ 42	106	80	108	58	18	80	40	36	4	M10
3	SXAL(*)	$\phi$ 45- $\phi$ 65	136	100	137	72	20	105	50	40	4	M12
4	SXAL(*)	$\phi$ 70- $\phi$ 89	188	150	190	99	25	150	56	50	4	M16
5	SXAL(*)	$\phi$ 90- $\phi$ 127	255	205	245	125	30	190	70	60	4	M20
6	SXAL(*)	$\phi$ 133- $\phi$ 168	305	250	300	150	30	240	80	70	5	M24
7	SXAL(*)	$\phi$ 170- $\phi$ 219	355	290	360	180	35	290	90	80	8	M30

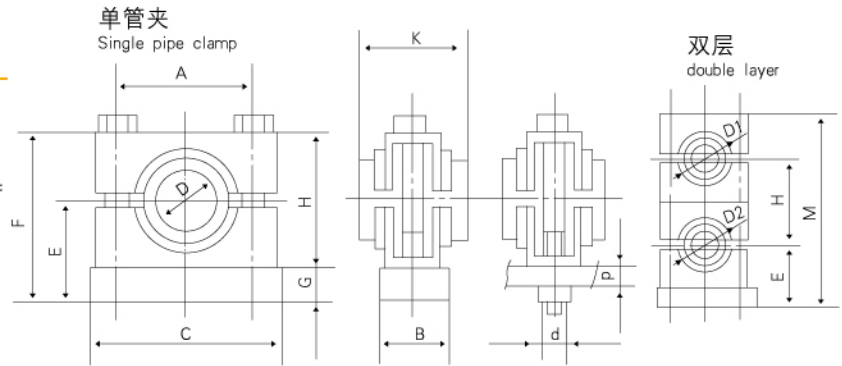
如使用不同的形式或其它要求在订货时说明  
Other forms or requirements need to be expressed by ordering.

GJ钢管夹

GJ Steel Clamp

标记示例 Mark Example:

单管夹, 单层, 管径D=18, 带底板:  
管夹1 GJ50-18  
单管夹, 双层, 管径D1=18, D2=22, 带底板:  
管夹1 GJ50-18/22B  
Single pipe clamp, single layer, pipe diameter D=18, with base plate:  
Pipe Clamp 1 GJ50-18  
Single pipe clamp, double layer, pipe diameter D1=18, D2=22, with base plate:  
Pipe Clamp 1 GJ50-18/22B

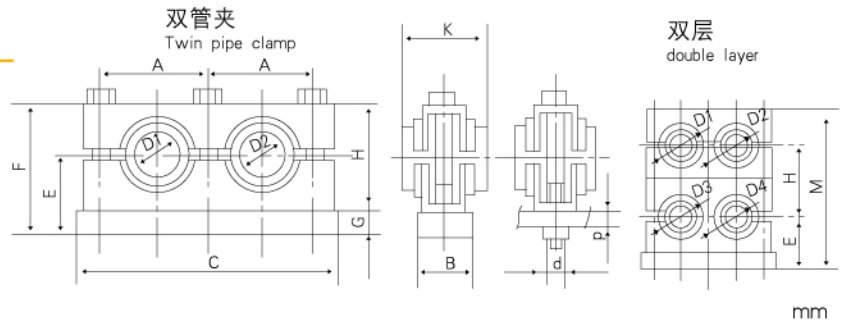


标记示例 Mark Example:

双管夹, 单层, 管径D1=18, D2=22, 带底板:  
管夹2 GJ50-18, 22B  
双管夹, 双层, 管径D1=16, D2=18, D3=D4=22带底板:  
管夹2 GJ50-16, 18/2 x 22B



Twin pipe clamp, single layer, pipe diameter D1=18, D2=22, with base plate:  
Pipe Clamp 2 GJ50-18, 22B  
Twin pipe clamp, double layer, pipe diameter D1=16, D2=18, D3=D4=22, with base plate:  
Pipe Clamp 2 GJ50-16, 18/2 x 22B



mm

名称 Description	管夹型号 Clamp Model	钢管外径D, D1, D2 O.D. of Steel Tube D, D1, D2	A	B	C	d	E	F	G	H	K	M	P ≈	重量Weight kg			
														单层 Single Layer		双层 Double Layer	
														带底板 With Base Plate	无底板 Without Base Plate	带底板 With Base Plate	无底板 Without Base Plate
单管夹 Single Pipe Clamp	1GJ38	6 8 10 12 14 16	38	25	65	M8	33	52	14	38	32	90	6	0.32	0.17	0.45	0.3
	1GJ50	16 18 20 22 25	50	25	80	M8	39	64	14	50	36	114	6~8	0.43	0.24	0.63	0.44
	1GJ75	25 28 32 34 40 42	75	35	110	M10	55.5	93	18	75	44	168	10~12	1.13	0.63	1.69	1.2
	1GJ100	42 48 50 60 63	100	40	140	M12	68	118	18	100	52	218	12~15	1.82	1.13	2.85	2.14
	1GJ150	63 70 76 83 89 102	150	50	190	M12	93	168	18	150	62	318	12~15	3.49	2.24	5.63	4.4
双管夹 Twin pipe clamp	2GJ38	6 8 10 12 14 16	38	25	104	M8	33	52	14	38	32	90	6	0.52	0.27	0.73	0.49
	2GJ50	16 18 20 22 25	50	25	130	M8	39	64	14	50	36	114	6~8	0.71	0.39	1.06	0.74
	2GJ75	25 28 32 34 40 42	75	35	185	M10	55.5	93	18	75	44	168	10~12	1.93	1.1	2.9	2.08
	2GJ100	42 48 50 60 63	100	40	240	M12	68	118	18	100	52	218	12~15	3.03	1.84	4.73	3.51
	2GJ150	63 70 76 83 89 102	150	50	340	M12	93	168	18	150	62	318	12~15	5.55	3.28	8.69	6.45

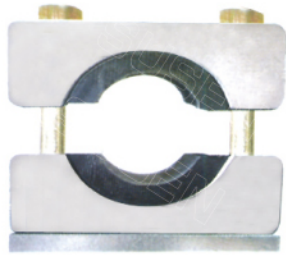
如使用不同的形式或其它要求请在订货时说明  
Other forms or requirements need to be expressed by ordering.

**SXG(B)\*-\*\*钢制防震管夹 SXG(B)\*-\*\* Steel Shockproof Clamps**

简介：本产品适用于冶金、石油、化工、车辆、船舶、电力等机械液压系统中的油、水、气为介质的固定高温管道槽钢防震管夹。  
Brief Introduction: This type of products is anti-vibration grooved steel pipe clamps applicable for fixing pipes having oil, water and gas as media of mechanical hydraulic systems in fields like metallurgy, petroleum, chemical industry, automobile, shipping and electricity.

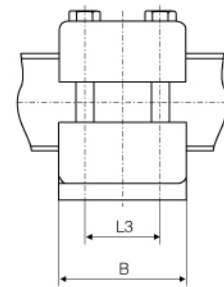
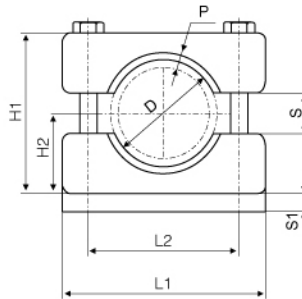
SX	GJ	(B)	*	**
苏鑫管夹 Susen Clamps	苏鑫规格 Susen Specification	型号结构 Model & Structure	材质 Materials	管径 Pipe Diameter

用于高压强力震动管道  
For high pressure strong vibration



※订货示范 Order model:

- 1、钢制防震管夹为SXG(B)5-φ219C (带底板)
- 1、anti-vibration steel pipe clamp SXG(B)5-φ219C (with plate)
- 2、钢制防震管夹为SXG(B)5-φ219 (不带底板) 使用双头螺栓
- 2、anti-vibration steel pipe clamp SXG(B)5-φ219 (without plate) using two-head bolts
- 3、如使用不锈钢材料或其它要求在订货时说明。
- 3、stainless steel or other requirements upon request.



系 列 series	管外径 φ D Pipe O.D.	L1	L2	L3	H1	H2	B	S	S1	P	M
1	73	190	140	65	170	85	115	20	20	5	M20
	76										
	89										
2	102	210	150	65	210	105	115	20	20	5	M24
	108										
	114										
3	127	250	190	90	250	125	155	40	25	5	M24
	133										
	140										
4	152, 159	290	220	100	280	140	180	50	30	8	M30
	168										
5	219	400	310	150	330	165	220	90	30	8	M30
	245										
6	273	480	380	160	430	230	240	120	36	10	M36
	290										
7	325	500	400	170	480	240	260	140	36	10	M36
8	351	530	430	180	510	255	280	150	36	10	M36
9	377	580	480	190	540	270	290	160	36	10	M36
10	426	610	510	200	530	290	300	180	36	10	M36

说明Note: 1、管夹表面处理为镀锌, 可根据客户要求选用其它表面处理方法。

1、Clamp surface is galvanized which can be treated with other methods upon customer's request.

2、本公司可根据客户要求(设计)生产或使用其它材料和管径。

2、Manufacture (design) or use other materials and pipe diameters upon customer's request.

如使用不同的形式或其它要求在订货时说明

Other forms or requirements need to be expressed by ordering.

**SXG(A)\*-\*\*槽钢防震管夹 SXG(A)\*-\*\*anti-vibration grooved steel pipe clamps**

简介：本产品适用于冶金、石油、化工、车辆、船舶、电力等机械液压系统中的油、水、气为介质的固定高温管道槽钢防震管夹。  
Brief Introduction: This type of products is anti-vibration grooved steel pipe clamps applicable for fixing pipes having oil, water and gas as media of mechanical hydraulic systems in fields like metallurgy, petroleum, chemical industry, automobile, shipping and electricity.

SX	GJ	(A)	*	**
苏鑫管夹 Susen Clamps	苏鑫规格 Susen Specification	型号结构 Model & Structure	材质 Materials	管径 Pipe Diameter

※订货示范：管外径为φ168管道

※Order model: Take pipe outside diameter 168 as an example.

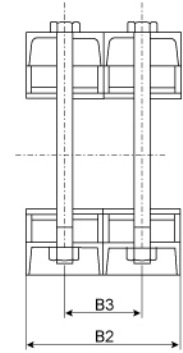
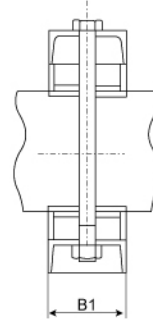
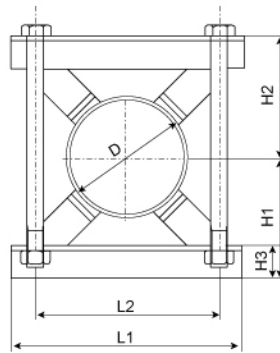
1、槽钢防震管夹为SXG(A)4-168

1、anti-vibration grooved steel pipe clamp SXG(A)4-168

2、如使用不锈钢材料或其它要求在订货时说明。

2、stainless steel or other requirements upon request.

**用于高压强力震动管道  
For high pressure strong vibration pipes**



系列	管外径 φD1	L1	L2	H1	H2	H3	B1	B2	B3	M
1	φ 73-φ 89	190	140	100	100	40	60	120	60	M20
2	φ 102-φ 114	210	150	115	115	40	60	120	60	M20
3	φ 127-φ 140	250	190	135	135	50	80	160	80	M24
4	φ 152-φ 168	280	220	140	140	50	80	160	80	M30
5	φ 194-φ 219	340	270	170	170	50	100	200	100	M30
6	φ 220-φ 273	420	330	220	220	60	140	280	140	M30
7	φ 276-φ 325	460	370	240	240	60	140	280	140	M30
8	φ 326-φ 370	510	420	260	60	60	140	280	140	M30
9	φ 371-φ 425	570	480	290	290	60	140	280	140	M30
10	φ 426-φ 485	620	530	305	305	60	140	280	140	M30
11	φ 486-φ 550	680	590	370	370	60	140	280	140	M30
12	φ 551-φ 630	760	670	410	410	60	140	280	140	M30
13	φ 631-φ 715	845	755	452	452	60	140	280	140	M30
14	φ 716-φ 800	940	850	495	495	60	140	280	140	M30

说明Note: 1、管夹表面处理为镀锌，可根据客户要求选用其它表面处理方法。

1、Clamp surface is galvanized which can be treated with other methods upon customer's request.

2、本公司可根据客户要求（设计）生产或使用其它材料和管径。

2、Manufacture (design) or use other materials and pipe diameters upon customer's request.

如使用不同的形式或其它要求在订货时说明

Other forms or requirements need to be expressed by ordering.



执行国标 ( Acc.to national standard ) :JB/ZQ4008-2006

**SXGJN1\*—\*\*钢制多排管夹 SXGJN1\*—\*\* multiple steel pipe clamps**

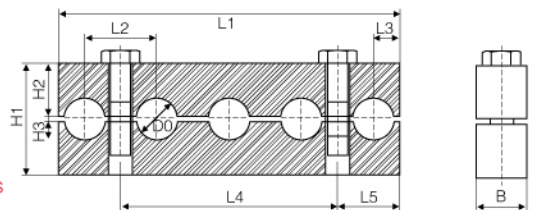
简介: 本产品适用于冶金、石油、化工、车辆、船舶、电力等机械液压系统中的油、水、气为介质的固定管道管夹。  
Brief Introduction: This type of products is mechanical hydraulic system applicable for fixing pipes having oil, water and gas as media of mechanical hydraulic systems in fields like metallurgy, petroleum, chemical industry, automobile, shipping and electricity.

SX	GJ	N1	*	**
苏鑫管夹 Susen Clamps	苏鑫规格 Susen Specification	型号结构 Model & Structure	材质 Materials	管径 Pipe Diameter



执行国家标准为: Acc. to national standard:  
管夹JB / ZQ 4512-97 clamp JB / ZQ 4512-97

- ※组成: 管夹体、底板和螺栓组成  
※Components: clamp body, base plate and bolt
- ※管夹体材质Clamp body material:  
SXGJN1C—\*\*表示均为碳钢不带底板单管夹  
SXGJN1C—\*\*multiple steel pipe clamp without base plate made of carbon steel  
SXGJN1B—\*\*表示均为不锈钢多排管夹  
SXGJN1B—\*\*multiple steel pipe clamp with base plate made of stainless steel
- ※订货示例: 管外径为φ16的五条管道的多排管夹订货示例  
Order model: Take pipe outside diameter 16 with five pipes as an example  
碳钢多排管夹SXGJN1C-16×5  
carbon steel multiple pipe clamp SXGJN1C-16×5  
不锈钢多排管夹SXGJN1B-16×5  
stainless steel multiple pipe clamp SXGJN1B-16×5



管夹 Pipe clamp      底板 Plate

说明Note: 1、管夹表面处理为镀锌, 可根据客户要求选用其它表面处理方法。  
1、Clamp surface is galvanized which can be treated with other methods upon customer's request.  
2、本公司可根据客户要求(设计)生产或使用其它材料和管径。  
2、Manufacture (design) or use other materials and pipe diameters upon customer's request.

管子pipe		B	H1	H2	H3	L1	L2	L3	L4	L5	配用螺栓 Provided bolt			
数量 No.	外径Do O.D.Do										数量 No.	规格 size		
1	10	20	42	20	2	45	-	22.5	25	10	2	M8 × 35		
2						70	25	22.5	50	10				
3						95	25	22.5	75	10				
4						95	25	10	50	22.5				
5						120	25	10	75	22.5				
1	16	25	52.5	25	2.5	60	-	30	35	12.5		2	M10 × 45	
2						95	35	30	70	12.5				
3						130	35	30	105	12.5				
4						130	35	12.5	70	30				
5						165	35	12.5	105	30				
1	25	30	63	30	3	75	-	37.5	70	12.5			2	M12 × 50
2						125	50	37.5	105	12.5				
3						175	50	37.5	50	12.5				
4						190	50	20	100	45				
5						240	50	20	150	45				
1	38	40	83	40	3	100	-	50	70	15	2			M16 × 70
2						160	60	50	130	15				
3						220	60	50	190	15				
4						230	60	25	120	55				
5						290	60	25	180	55				

如使用不同的形式或其它要求请在订货时说明  
Other forms or requirements need to be expressed by ordering.

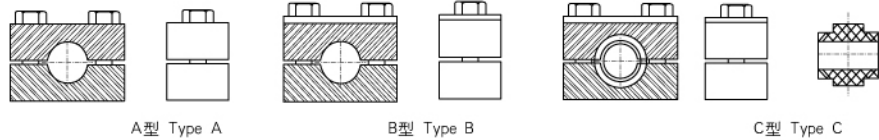
执行国标 ( Acc.to national standard ) :JB/ZQ4008-2006

SXGJN × \*\*-\*\*-\*\*方钢多管径管夹 SXGJN × \*\*-\*\*-\*\*square steel multi-pipe clamps



SXGJN × 1\*-\*\*-\*\*单管径管夹 SXGJN × 1\*-\*\*-\*\*one-pipe clamps

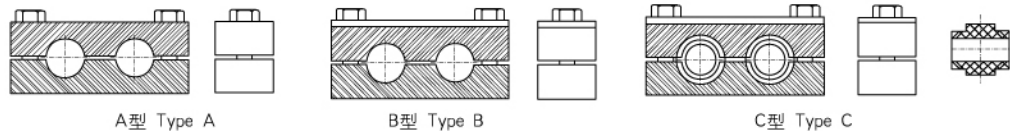
注：单管径管夹用于φ3-φ28管道使用  
Note: for pipe O.D. φ3-φ28



※订货示例Order model:  
管外径为φ6订货示例。碳钢管夹SXGJN × 1A-6; 不锈钢管夹SXGJN × 1A-6;  
Take pipe outside diameter 6 as an example; carbon steel clamp SXGJN × 1A-6, stainless steel clamp SXGJN × 1A-6

SXGJN × 2\*-\*\*-\*\*双管径管夹 SXGJN × 2\*-\*\*-\*\*Twin Pipe Clamps

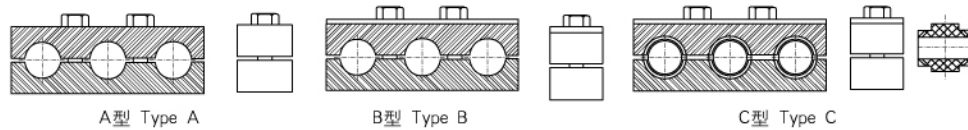
注：单管径管夹用于φ3-φ28管道使用  
Note: for pipe O.D. φ3-φ28



※订货示例Order model:  
管外径为φ6订货示例。碳钢管夹SXGJN × 2A-6; 不锈钢管夹SXGJN × 2A-6;  
Take pipe outside diameter 6 as an example; carbon steel clamp SXGJN × 2A-6, stainless steel clamp SXGJN × 2A-6

SXGJN × 3\*-\*\*-\*\*三管径管夹 SXGJN × 3\*-\*\*-\*\*Triple Pipe Clamps

注：单管径管夹用于φ3-φ28管道使用  
Note: for pipe O.D. φ3-φ28



※订货示例Order model:  
管外径为φ6订货示例。碳钢管夹SXGJN × 3A-6; 不锈钢管夹SXGJN × 3A-6;  
Take pipe outside diameter 6 as an example; carbon steel clamp SXGJN × 3A-6, stainless steel clamp SXGJN × 3A-6

说明Note: 1、管夹表面处理为镀锌, 可根据客户要求选用其它表面处理方法。

- 1、Clamp surface is galvanized which can be treated with other methods upon customer's request.
- 2、本公司可根据客户要求 ( 设计 ) 生产或使用其它材料和管径。
- 2、Manufacture (design) or use other materials and pipe diameters upon customer's request.

如使用不同的形式或其它要求请在订货时说明  
Other forms or requirements need to be expressed by ordering.

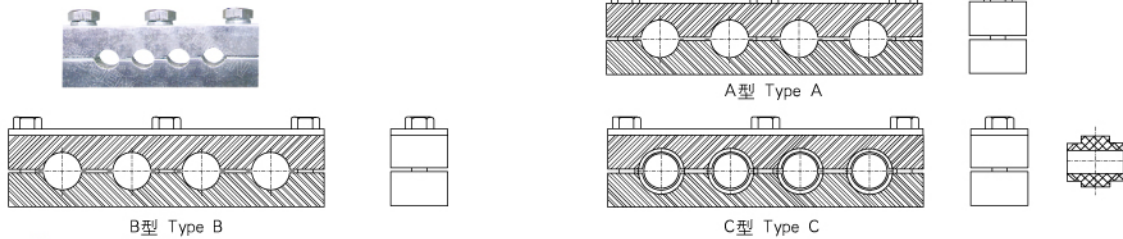


执行国标 ( A cc.to national standard ) :JB/ZQ4008-2006

SXGJN x \*\*-\*\* 方钢多管径管夹 SXGJN x \*\*-\*\* square steel multi-pipe clamps

SXGJN x 4\*-\*\* 四管径管夹 SXGJN x 4\*-\*\* quad pipe clamps

注: 单管径管夹用于  $\phi 3-\phi 28$  管道使用  
Note: for pipe O.D.  $\phi 3-\phi 28$

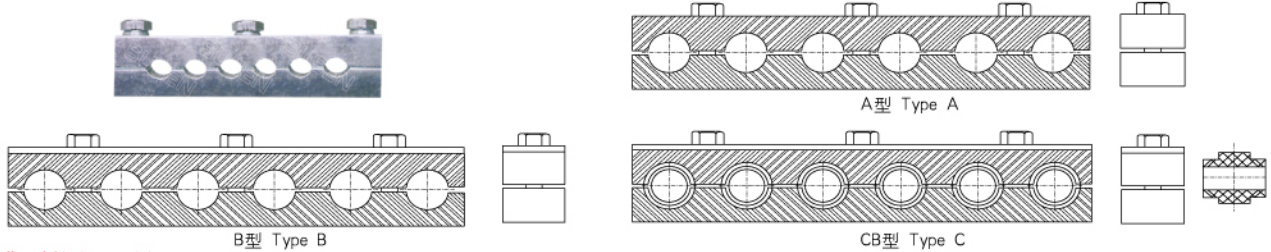


※订货示例Order model:

管外径为  $\phi 6$  订货示例。 碳钢管夹SXGJN x 4A-6; 不锈钢管夹SXGJN x 4A-6;  
Take pipe outside diameter 6 as an example, carbon steel clamp SXGJN x 4A-6, stainless steel clamp SXGJN x 4A-6

SXGJN x 6\*-\*\* 六管径管夹 SXGJN x 6\*-\*\* six-pipe clamps

注: 单管径管夹用于  $\phi 3-\phi 28$  管道使用  
Note: for pipe O.D.  $\phi 3-\phi 28$

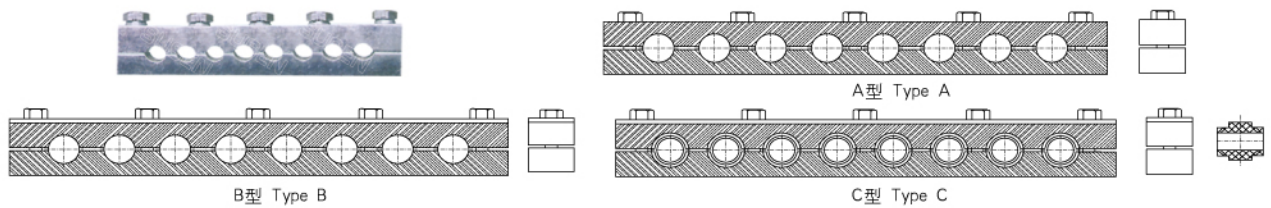


※订货示例Order model:

管外径为  $\phi 6$  订货示例。 碳钢管夹SXGJN x 6A-6; 不锈钢管夹SXGJN x 6A-6;  
Take pipe outside diameter 6 as an example, carbon steel clamp SXGJN x 6A-6, stainless steel clamp SXGJN x 6A-6

SXGJN x 8\*-\*\* 单管径管夹 SXGJN x 8\*-\*\* single pipe clamps

注: 单管径管夹用于  $\phi 3-\phi 28$  管道使用  
Note: for pipe O.D.  $\phi 3-\phi 28$

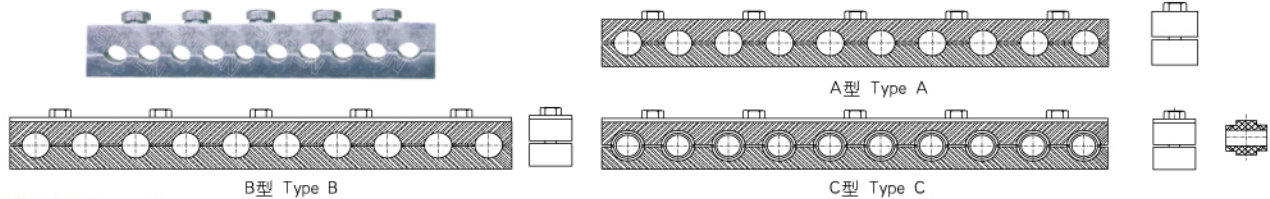


※订货示例Order model:

管外径为  $\phi 6$  订货示例。 碳钢管夹SXGJN x 8A-6; 不锈钢管夹SXGJN x 8A-6;  
Take pipe outside diameter 6 as an example, carbon steel clamp SXGJN x 8A-6, stainless steel clamp SXGJN x 8A-6

SXGJN x 10\*-\*\* 单管径管夹 SXGJN x 10\*-\*\* single pipe clamps

注: 单管径管夹用于  $\phi 3-\phi 28$  管道使用  
Note: for pipe O.D.  $\phi 3-\phi 28$



※订货示例Order model:

管外径为  $\phi 6$  订货示例。 碳钢管夹SXGJN x 10A-6; 不锈钢管夹SXGJN x 10A-6;  
Take pipe outside diameter 6 as an example, carbon steel clamp SXGJN x 10A-6, stainless steel clamp SXGJN x 10A-6

说明Note: 1、管夹表面处理为镀锌, 可根据客户要求选用其它表面处理方法。1、Clamp surface is galvanized which can be treated with other methods upon customer's request.  
2、本公司可根据客户要求(设计)生产或使用其它材料和管径。2、Manufacture (design) or use other materials and pipe diameters upon customer's request.

如使用不同的形式或其它要求请在订货时说明 Other forms or requirements need to be expressed by ordering.



江苏苏鑫管夹制造有限公司  
Jiangsu Susen Clamps Manufacturing Co., Ltd.

本产品符合国家重型机械标准  
All of our products meet national standards on heavy machinery.

执行国标 ( Acc.to national standard ) :JB/ZQ4008-2006

**SXGJ × 1\* - \*\* 单管夹 SXGJ × 1\* - \*\* single pipe clamps**

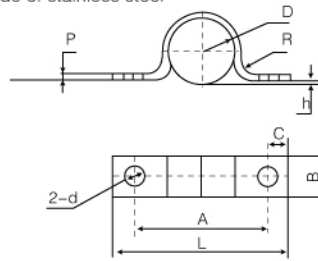
简介: 本产品适用于冶金、石油、化工、车辆、船舶、电力等机械液压系统中的油、水、气为介质的固定管道单管夹。  
Brief Introduction: This type of products is single clamp applicable for fixing pipes having oil, water and gas as media of mechanical hydraulic systems in fields like metallurgy, petroleum, chemical industry, automobile, shipping and electricity.

SX	GJ	1	*	**
苏鑫管夹 Susen Clamps	苏鑫规格 Susen Specification	型号结构 Model & Structure	材 质 Materials	管 径 Pipe Diameter

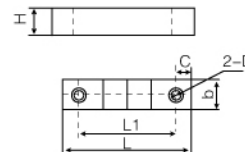
执行国家标准为: Acc. to national standard:  
管夹: JB / ZQ 4492-97 Clamp: JB / ZQ 4492-97  
底板: JB / ZQ 4499-97 Plate: JB / ZQ 4499-97

- ※组成: 管夹体、底板和螺栓组成
- ※Components: clamp body, base plate and bolt
- ※管夹体材质Clamp body material:  
SXGJ × 1C- \*\*表示均为碳钢不带底板单管夹  
SXGJ × 1C- \*\*single pipe clamp without base plate made of carbon steel  
SXGJ × 1C- \*\*A(B)表示均为碳钢带底板单管夹  
SXGJ × 1C- \*\*A(B) single pipe clamp with base plate made of carbon steel  
SXGJ × 1B- \*\*表示均为不锈钢不带底板单管夹  
SXGJ × 1B- \*\* single pipe clamp without base plate made of stainless steel  
SXGJ × 1B- \*\*A(B)表示均为不锈钢带底板单管夹  
SXGJ × 1B- \*\* A(B) single pipe clamp with base plate made of stainless steel

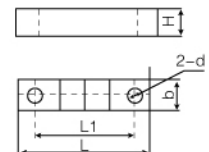
- ※订货示例: 管外径为 φ 16 订货示例
- ※Order sample: Order sample of φ 16 pipes  
碳钢单管夹SXGJ × 1C-16 (不带底板)  
Carbon steel single pipe clamp SXGJ × 1C-16 (without base plate)  
碳钢单管夹SXGJ × 1C-16A(B) (带底板)  
Carbon steel single pipe clamp SXGJ × 1C-16A(B) (with base plate)  
不锈钢单管夹SXGJ × 1B-16 (不带底板)  
Stainless steel single pipe clamp SXGJ × 1B-16 (without base plate)  
不锈钢单管夹SXGJ × 1B-16A(B) (带底板)  
Stainless steel single pipe clamp SXGJ × 1B-16A(B) (with base plate)



管 夹 Pipe clamp



A 型 type A



底 板 Plate

- 说明Note: 1、管夹表面处理为镀锌, 可根据客户要求选用其它表面处理方法。  
1、Clamp surface is galvanized which can be treated with other methods upon customer' s request.
- 2、本公司可根据客户要求 (设计) 生产或使用其它材料和管径。  
2、Manufacture (design) or use other materials and pipe diameters upon customer' s request.

订货代号 Order code	φ	D	P	h	C	A	L	B	R	d	底板Plate	L	b	H	L1	C	D	d
6		6	2	2	7.5	25	40	15	2	7	底板Plate	40	15	8	25	7.5	M6	7
8		8	2	2	7.5	28	43	15	2	7	底板Plate	43	15	8	28	7.5	M6	7
10		10	2	2	7.5	30	45	15	2	7	底板Plate	45	15	8	30	7.5	M6	7
12		12	2	2	7.5	32	47	15	2	7	底板Plate	47	15	8	32	7.5	M6	7
14		14	2	2	7.5	35	50	15	2	7	底板Plate	50	15	8	35	7.5	M6	7
16		16	2	2	7.5	38	53	15	2	7	底板Plate	53	15	8	38	7.5	M6	7
18		18	2	2	7.5	40	55	15	2	7	底板Plate	55	15	8	40	7.5	M6	7
22		22	2	2	7.5	45	60	15	2	7	底板Plate	60	15	8	45	7.5	M6	7
24		24	2	2	7.5	48	63	15	2	7	底板Plate	63	15	8	48	7.5	M6	7
28		28	2	2	7.5	50	65	15	2	7	底板Plate	65	15	8	50	7.5	M6	7
34		34	3	5	10	65	85	20	3	9	底板Plate	85	20	14	65	10	M8	9
42		42	3	5	10	70	90	20	3	9	底板Plate	90	20	14	70	10	M8	9
48		48	3	5	10	80	100	20	3	9	底板Plate	100	20	14	80	10	M8	9
60		60	3	5	10	90	110	20	3	9	底板Plate	110	20	14	90	10	M8	9
76		76	4	5	12.5	110	135	25	3	9	底板Plate	135	25	14	110	12.5	M8	9
89		89	4	5	12.5	125	150	25	3	9	底板Plate	150	25	14	125	12.5	M8	9

如使用不同的形式或其它要求请在订货时说明  
Other forms or requirements need to be expressed by ordering.



江苏苏鑫管夹制造有限公司  
Jiangsu Susen Clamps Manufacturing Co., Ltd.

本产品符合国家重型机械标准  
All of our products meet national standards on heavy machinery.

执行国标 ( Acc.to national standard ) :JB/ZQ4008-2006

**SXGJ × 2\* - \*\* 双管夹 SXGJ × 2\* \_ \*\* Twin Pipe Clamps**

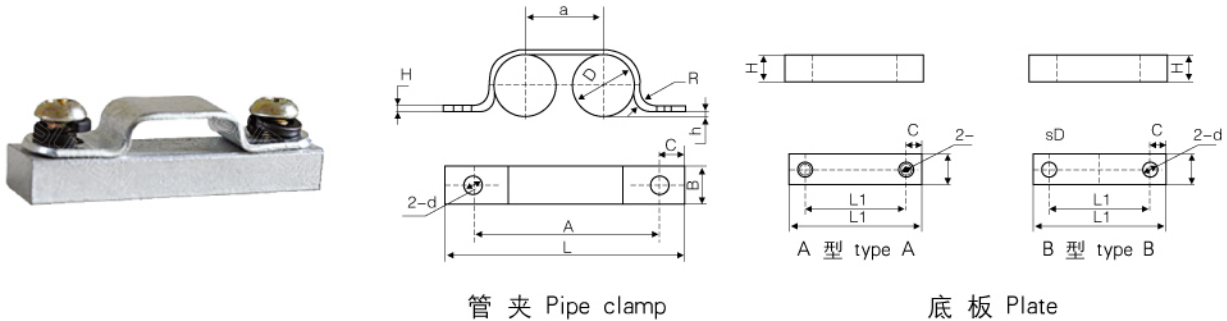
简介: 本产品适用于冶金、石油、化工、车辆、船舶、电力等机械液压系统中的油、水、气为介质的固定管道双管夹。  
Brief Introduction: This type of products is twin clamp applicable for fixing pipes having oil, water and gas as media of mechanical hydraulic systems in fields like metallurgy, petroleum, chemical industry, automobile, shipping and electricity.

SX	GJ	2	*	**
苏鑫管夹 Susen Clamps	苏鑫规格 Susen Specification	型号结构 Model & Structure	材 质 Materials	管 径 Pipe Diameter

执行国家标准为: Acc. to national standard:  
管夹: JB / ZQ 4494-97 Clamp: JB / ZQ 4494-97  
底板: JB / ZQ 4500-97 Plate: JB / ZQ 4500-97

- ※组成: 管夹体、底板和螺栓组成
- ※Components: clamp body, base plate and bolt
- ※管夹体材质Clamp body material:  
SXGJ × 2C- \*\*表示均为碳钢不带底板双管夹  
SXGJ × 2C- \*\*twin pipe clamp without base plate made of carbon steel  
SXGJ × 2C- \*\*A(B)表示均为碳钢带底板双管夹  
SXGJ × 2C- \*\*A(B) twin pipe clamp with base plate made of carbon steel  
SXGJ × 2B- \*\*表示均为不锈钢不带底板双管夹  
SXGJ × 2B- \*\* twin pipe clamp without base plate made of stainless steel  
SXGJ × 2B- \*\*A(B)表示均为不锈钢带底板双管夹  
SXGJ × 2B- \*\* A(B) twin pipe clamp with base plate made of stainless steel

- ※订货示例: 管外径为 φ 16 订货示例
- ※Order sample: Order sample of φ 16 pipes  
碳钢双管夹SXGJ × 2C-16 ( 不带底板 )  
Carbon steel twin pipe clamp SXGJ × 2C-16 (without base plate)  
碳钢双管夹SXGJ × 2C-16A(B) ( 带底板 )  
Carbon steel twin pipe clamp SXGJ × 2C-16A(B) (with base plate)  
不锈钢双管夹SXGJ × 2B-16 ( 不带底板 )  
Stainless steel twin pipe clamp SXGJ × 2B-16 (without base plate)  
不锈钢双管夹SXGJ × 2B-16A(B) ( 带底板 )  
Stainless steel twin pipe clamp SXGJ × 2B-16A(B) (with base plate)



管 夹 Pipe clamp

底 板 Plate

说明Note: 1、管夹表面处理为镀锌, 可根据客户要求选用其它表面处理方法。  
1、Clamp surface is galvanized which can be treated with other methods upon customer' s request.  
2、本公司可根据客户要求 ( 设计 ) 生产或使用其它材料和管径。  
2、Manufacture (design) or use other materials and pipe diameters upon customer' s request.

订货代号 Order code φ	D	P	h	C	A	L	a	B	R	d	底板Plate	L	b	H	L1	C	D	d
6	6	2	2	7.5	35	50	10	15	2	7	底板Plate	50	15	8	35	7.5	M6	7
8	8	2	2	7.5	40	55	12	15	2	7	底板Plate	55	15	8	40	7.5	M6	7
10	10	2	2	7.5	44	59	14	15	2	7	底板Plate	59	15	8	44	7.5	M6	7
12	12	2	2	7.5	48	63	16	15	2	7	底板Plate	63	15	8	48	7.5	M6	7
14	14	2	2	7.5	54	69	18	15	2	7	底板Plate	69	15	8	54	7.5	M6	7
16	16	2	2	7.5	58	73	20	15	2	7	底板Plate	73	15	8	58	7.5	M6	7
18	18	2	2	7.5	62	77	22	15	2	7	底板Plate	77	15	8	62	7.5	M6	7
22	22	2	2	7.5	72	87	26	15	2	7	底板Plate	87	15	8	72	7.5	M6	7
24	24	2	2	7.5	76	91	28	15	2	7	底板Plate	91	15	8	76	7.5	M6	7
28	28	2	2	7.5	82	97	32	15	2	7	底板Plate	97	15	8	82	7.5	M6	7
34	34	3	5	10	104	124	38	20	3	9	底板Plate	124	20	14	104	10	M8	9
42	42	3	5	10	116	136	46	20	3	9	底板Plate	136	20	14	116	10	M8	9
48	48	3	5	10	134	156	54	20	3	9	底板Plate	156	20	14	134	10	M8	9
60	60	3	5	10	155	175	65	20	3	9	底板Plate	175	20	14	155	10	M8	9

如使用不同的形式或其它要求请在订货时说明  
Other forms or requirements need to be expressed by ordering.



江苏苏鑫管夹制造有限公司  
Jiangsu Susen Clamps Manufacturing Co., Ltd.

本产品符合国家重型机械标准  
All of our products meet national standards on heavy machinery.

执行国标 ( Acc.to national standard ) :JB/ZQ4008-2006

**SXGJ × 3\*<sub>-</sub>\*\*三管夹 SXGJ × 3\*<sub>-</sub>\*\*Triple Pipe Clamps**

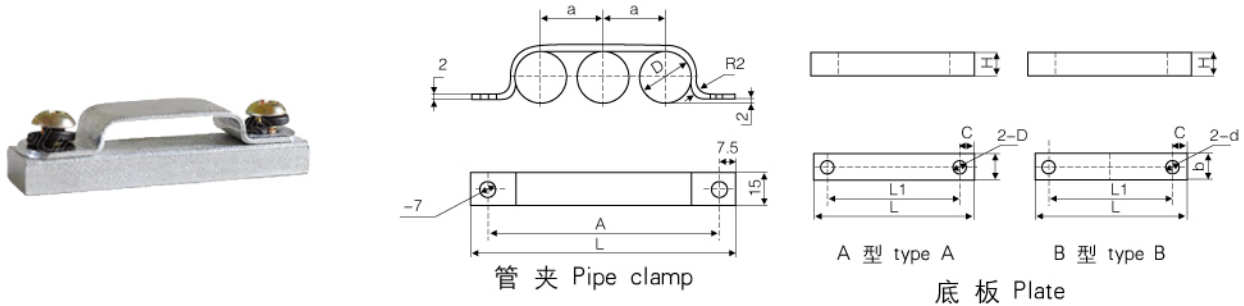
简介: 本产品适用于冶金、石油、化工、车辆、船舶、电力等机械液压系统中的油、水、气为介质的固定管道三管夹。  
Brief Introduction: This type of products is triple clamp applicable for fixing pipes having oil, water and gas as media of mechanical hydraulic systems in fields like metallurgy, petroleum, chemical industry, automobile, shipping and electricity.

SX	GJ	3	*	**
苏鑫管夹 Susen Clamps	苏鑫规格 Susen Specification	型号结构 Model & Structure	材质 Materials	管径 Pipe Diameter

执行国家标准为: Acc. to national standard:  
管夹: JB / ZQ 4495-97 Clamp: JB / ZQ 4495-97  
底板: JB / ZQ 4502-97 Plate: JB / ZQ 4502-97

- ※组成: 管夹体、底板和螺栓组成
- ※Components: clamp body, base plate and bolt
- ※管夹体材质Clamp body material:  
SXGJ × 3C-**\*\***表示均为碳钢不带底板三管夹  
SXGJ × 3C-**\*\***triple pipe clamp without base plate made of carbon steel  
SXGJ × 3C-**\*\***A(B)表示均为碳钢带底板三管夹  
SXGJ × 3C-**\*\***A(B) triple pipe clamp with base plate made of carbon steel  
SXGJ × 3B-**\*\***表示均为不锈钢不带底板三管夹  
SXGJ × 3B-**\*\*** triple pipe clamp without base plate made of stainless steel  
SXGJ × 3B-**\*\***A(B)表示均为不锈钢带底板三管夹  
SXGJ × 3B-**\*\***A(B) triple pipe clamp with base plate made of stainless steel

- ※订货示例: 管外径为 φ 16 订货示例
- ※Order sample: Order sample of φ 16 pipes  
碳钢三管夹SXGJ × 3C-16 (不带底板)  
Carbon steel triple pipe clamp SXGJ × 3C-16 (without base plate)  
碳钢三管夹SXGJ × 3C-16A(B) (带底板)  
Carbon steel triple pipe clamp SXGJ × 3C-16A(B) (with base plate)  
不锈钢三管夹SXGJ × 3B-16 (不带底板)  
Stainless steel triple pipe clamp SXGJ × 3B-16 (without base plate)  
不锈钢三管夹SXGJ × 3B-16A(B) (带底板)  
Stainless steel triple pipe clamp SXGJ × 3B-16A(B) (with base plate)



说明Note: 1、管夹表面处理为镀锌, 可根据客户要求选用其它表面处理方法。  
1、Clamp surface is galvanized which can be treated with other methods upon customer's request.  
2、本公司可根据客户要求 (设计) 生产或使用其它材料和管径。  
2、Manufacture (design) or use other materials and pipe diameters upon customer's request.

订货代号 Order code φ	D	A	L	a	底板Plate	L	b	H	L1	C	D	d
6	6	45	60	10	底板Plate	60	15	8	45	7.5	M6	7
8	8	52	67	12	底板Plate	67	15	8	52	7.5	M6	7
10	10	58	73	14	底板Plate	73	15	8	58	7.5	M6	7
12	12	64	79	16	底板Plate	79	15	8	64	7.5	M6	7
14	14	72	87	18	底板Plate	87	15	8	72	7.5	M6	7
16	16	78	93	20	底板Plate	93	15	8	78	7.5	M6	7
18	18	84	99	22	底板Plate	99	15	8	84	7.5	M6	7
22	22	98	113	26	底板Plate	113	15	8	98	7.5	M6	7
24	24	104	119	28	底板Plate	119	15	8	104	7.5	M6	7
28	28	114	129	32	底板Plate	129	15	8	114	7.5	M6	7

如使用不同的形式或其它要求在订货时说明  
Other forms or requirements need to be expressed by ordering.



江苏苏鑫管夹制造有限公司  
Jiangsu Susen Clamps Manufacturing Co., Ltd.

本产品符合国家重型机械标准  
All of our products meet national standards on heavy machinery.

执行国标 ( Acc.to national standard ) :JB/ZQ4008-2006

**SXGJ × 4\* - \*\* 四管夹 SXGJ × 4\* \_ \*\* Quad Pipe Clamps**

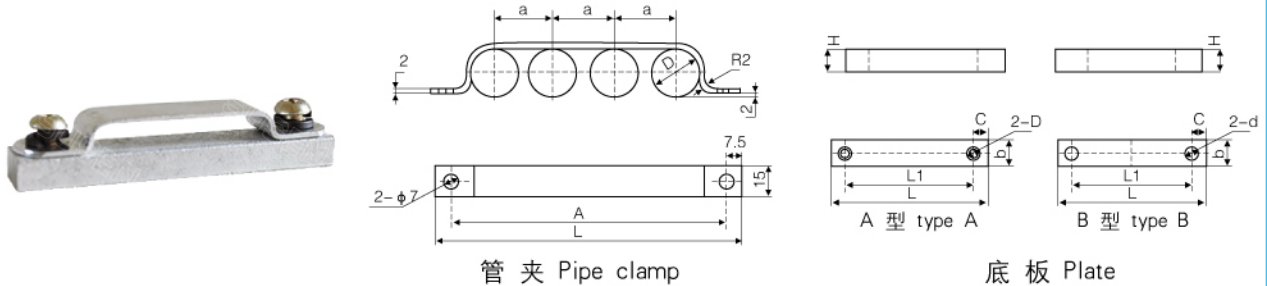
简介: 本产品适用于冶金、石油、化工、车辆、船舶、电力等机械液压系统中的油、水、气为介质的固定管道管夹。  
Brief Introduction: This type of products is mechanical hydraulic system applicable for fixing pipes having oil, water and gas as media of mechanical hydraulic systems in fields like metallurgy, petroleum, chemical industry, automobile, shipping and electricity.

SX	GJ	4	*	**
苏鑫管夹 Susen Clamps	苏鑫规格 Susen Specification	型号结构 Model & Structure	材质 Materials	管径 Pipe Diameter

执行国家标准为: Acc. to national standard:  
管夹: JB / ZQ 4496-97 Clamp: JB / ZQ 4496-97  
底板: JB / ZQ 4503-97 Plate: JB / ZQ 4503-97

- ※组成: 管夹体、底板和螺栓组成
- ※Components: clamp body, base plate and bolt
- ※管夹体材质Clamp body material:  
SXGJ × 4C- \*\*表示均为碳钢不带底板四管夹  
SXGJ × 4C- \*\*Quad pipe clamp without base plate made of carbon steel  
SXGJ × 4C- \*\*A(B)表示均为碳钢带底板四管夹  
SXGJ × 4C- \*\*A(B) Quad pipe clamp with base plate made of carbon steel  
SXGJ × 4B- \*\*表示均为不锈钢不带底板四管夹  
SXGJ × 4B- \*\* Quad pipe clamp without base plate made of stainless steel  
SXGJ × 4B- \*\*A(B)表示均为不锈钢带底板四管夹  
SXGJ × 4B- \*\* A(B) Quad pipe clamp with base plate made of stainless steel

- ※订货示例: 管外径为 φ 16 订货示例
- ※Order sample: Order sample of φ 16 pipes  
碳钢四管夹SXGJ × 4C-16 (不带底板)  
Carbon steel Quad pipe clamp SXGJ × 4C-16 (without base plate)  
碳钢四管夹SXGJ × 4C-16A(B) (带底板)  
Carbon steel Quad pipe clamp SXGJ × 4C-16A(B) (with base plate)  
不锈钢四管夹SXGJ × 4B-16 (不带底板)  
Stainless steel Quad pipe clamp SXGJ × 4B-16 (without base plate)  
不锈钢四管夹SXGJ × 4B-16A(B) (带底板)  
Stainless steel Quad pipe clamp SXGJ × 4B-16A(B) (with base plate)



管夹 Pipe clamp

底板 Plate

说明Note: 1、管夹表面处理为镀锌, 可根据客户要求选用其它表面处理方法。  
1、Clamp surface is galvanized which can be treated with other methods upon customer' s request.  
2、本公司可根据客户要求 (设计) 生产或使用其它材料和管径。  
2、Manufacture (design) or use other materials and pipe diameters upon customer' s request.

订货代号 Order code φ	D	A	L	a	底板Plate	L	b	H	L1	C	D	d
6	6	45	60	10	底板Plate	70	15	8	55	7.5	M6	7
8	8	52	67	12	底板Plate	79	15	8	64	7.5	M6	7
10	10	58	73	14	底板Plate	87	15	8	72	7.5	M6	7
12	12	64	79	16	底板Plate	95	15	8	80	7.5	M6	7
14	14	72	87	18	底板Plate	105	15	8	90	7.5	M6	7
16	16	78	93	20	底板Plate	113	15	8	98	7.5	M6	7
18	18	84	99	22	底板Plate	121	15	8	106	7.5	M6	7
22	22	98	113	26	底板Plate	139	15	8	124	7.5	M6	7
24	24	104	119	28	底板Plate	147	15	8	134	7.5	M6	7
28	28	114	129	32	底板Plate	161	15	8	146	7.5	M6	7

如使用不同的形式或其它要求请在订货时说明  
Other forms or requirements need to be expressed by ordering.



江苏苏鑫管夹制造有限公司  
Jiangsu Susen Clamps Manufacturing Co., Ltd.

本产品符合国家重型机械标准  
All of our products meet national standards on heavy machinery.

**SXGJE3\*—\*\*单面管夹 SXGJE3\*—\*\*One Side Pipe Clamp**

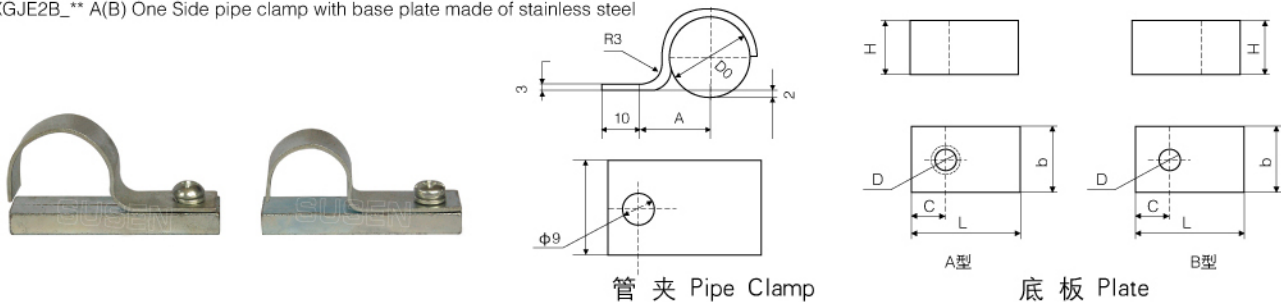
简介：本产品适用于冶金、石油、化工、车辆、船舶、电力等机械液压系统中的油、水、气为介质的固定管道管夹。  
Brief Introduction: This type of products is mechanical hydraulic system applicable for fixing pipes having oil, water and gas as media of mechanical hydraulic systems in fields like metallurgy, petroleum, chemical industry, automobile, shipping and electricity.

SX	GJ	E3	*	**
苏鑫管夹 Susen Clamps	苏鑫规格 Susen Specification	型号结构 Model & Structure	材 质 Materials	管 径 Pipe Diameter

执行国家标准为：管夹：JB / ZQ 4498-97 底板：JB / ZQ 4501-97  
Acc. to national standard: Clamp: JB / ZQ 4498-97 Plate: JB / ZQ 4501-97

- ※组成：管夹体、底板和螺栓组成
- ※Components: clamp body, base plate and bolt
- ※管夹体材质Clamp body material:  
SXGJE2C-\*\*表示均为碳钢不带底板单管夹  
SXGJE2C-\*\*One Side pipe clamp without base plate made of carbon steel  
SXGJE2C-\*\*A(B)表示均为碳钢带底板单管夹  
SXGJE2C-\*\*A(B) One Side pipe clamp with base plate made of carbon steel  
SXGJE2B-\*\*表示均为不锈钢不带底板单管夹  
SXGJE2B-\*\* One Side pipe clamp without base plate made of stainless steel  
SXGJE2B-\*\*A(B)表示均为不锈钢带底板单管夹  
SXGJE2B-\*\*A(B) One Side pipe clamp with base plate made of stainless steel

- ※订货示例：管外径为 φ16 订货示例  
※Order sample: Order sample of φ16 pipes  
碳钢单管夹SXGJE2C-16 (不带底板)  
Carbon steel One Side pipe clamp SXGJE2C-16 (without base plate)  
碳钢单管夹SXGJE2C-16A(B) (带底板)  
Carbon steel One Side pipe clamp SXGJE2C-16A(B) (with base plate)  
不锈钢单管夹SXGJE2B-16 (不带底板)  
Stainless steel One Side pipe clamp SXGJE2B-16 (without base plate)  
不锈钢单管夹SXGJE2B-16A(B) (带底板)  
Stainless steel One Side pipe clamp SXGJE2B-16A(B) (with base plate)



说明Note: 1、管夹表面处理为镀锌，可根据客户要求选用其它表面处理方法。  
1、Clamp surface is galvanized which can be treated with other methods upon customer's request.  
2、本公司可根据客户要求（设计）生产或使用其它材料和管径。  
2、Manufacture (design) or use other materials and pipe diameters upon customer's request.

订货代号 Order code	D	A	底板Plate	L	b	H	C	D	d
6	6	21	底板Plate	40	20	20	15	M8	9
8	8	21	底板Plate	40	20	20	15	M8	9
10	10	25	底板Plate	45	20	20	15	M8	9
12	12	25	底板Plate	45	20	20	15	M8	9
14	14	28	底板Plate	50	20	20	15	M8	9
16	16	28	底板Plate	50	20	20	15	M8	9
18	18	30	底板Plate	55	20	20	15	M8	9
22	22	32	底板Plate	60	20	20	15	M8	9
24	24	32	底板Plate	60	20	20	15	M8	9
28	28	35	底板Plate	65	20	20	15	M8	9

如使用不同的形式或其它要求请在订货时说明  
Other forms or requirements need to be expressed by ordering.

执行国标 ( Acc.to national standard ) :JB/ZQ4519-97

**SXGJU1\*-\*\*U型管夹 SXGJU1\*-\*\*U-form pipe clamps**

简介: 本产品适用于冶金、石油、化工、车辆、船舶、电力等机械液压系统中的油、水、气为介质的固定管道单管夹。  
Brief Introduction: This type of products is U-form pipe clamps applicable for fixing pipes having oil, water and gas as media of mechanical hydraulic systems in fields like metallurgy, petroleum, chemical industry, automobile, shipping and electricity.

SX	GJ	U2	*	**
苏鑫管夹 Susen Clamps	苏鑫规格 Susen Specification	型号结构 Model & Structure	材质 Materials	管径 Pipe Diameter

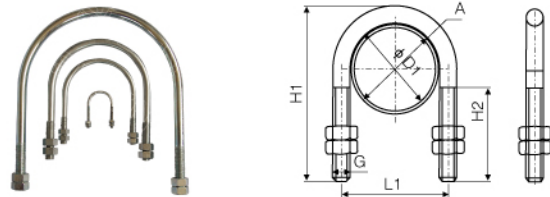
执行国家标准为Acc. to national standard: JB / ZQ 4519-97  
执行德国标准为Acc. to German standard: FB/RUL

- ※组成: 管夹体、长垫块和螺母组成
- ※Components: clamp body, long washer and bolt
- ※管夹体材质Clamp body material:
- SXGJU1C-\*\*表示均为碳钢U型管夹
- SXGJU1C-\*\*carbon steel U-form pipe clamp
- SXGJU1B-\*\*表示均为不锈钢U型管夹
- SXGJU1B-\*\*stainless steel U-form pipe clamp

- ※订货示例Order model:
- 150 ( 管外径  $\phi$  159-168.3 ) 订货示例。
- Take 150(pipe outside diameter 159-168.3) as an example
- 碳钢U型管夹SXGJU1C-150
- carbon steel U-form pipe clamp SXGJU1C-150
- 不锈钢U型管夹SXGJU1B-150
- stainless steel U-form pipe clamp SXGJU1B-150

说明Note:

- 1、管夹表面处理为镀锌, 可根据客户要求选用其它表面处理方法。
- 1、Clamp surface is galvanized which can be treated with other methods upon customer's request.
- 2、本公司可根据客户要求(设计)生产或使用其它材料和管径。
- 2、Manufacture (design) or use other materials and pipe diameters upon customer's request.



系 列series	管径Pipe O.D. mm	塑料垫块Plastic washer R B D				
		A	L	H1	H2	G
20	25	30	40	70	40	M10
	26.9					
25	30	38	48	76	40	M10
	33.7					
32	38	46	56	86	50	M10
	42.4					
40	44.5	52	62	92	50	M12
	48.3					
50	57	64	76	109	50	M12
	60.3					
65	76.1	82	94	125	50	M12
	80					
100	108	120	136	171	60	M16
	114.3					
125	133	148	164	191	60	M16
	139.7					
150	159	176	192	271	60	M16
	168.3					
175	193.7	202	218	249	60	M16
	200					
250	267	282	302	334	70	M20
	273					
300	318	332	352	385	70	M20
	323.9					
350	355.6	378	402	435	70	M24
	368					
400	406.4	428	452	487	70	M24
	419					
500	508	530	554	589	70	M24
	521					

如使用不同的形式或其它要求请在订货时说明  
Other forms or requirements need to be expressed by ordering.

符合德标: RB/RUL  
Acc. to German standard: RB/RUL



江苏苏鑫管夹制造有限公司  
Jiangsu Susen Clamps Manufacturing Co., Ltd.

本产品符合国家重型机械标准  
All of our products meet national standards on heavy machinery.

执行国标 ( Acc.to national standard ) :JB/ZQ4008-2006

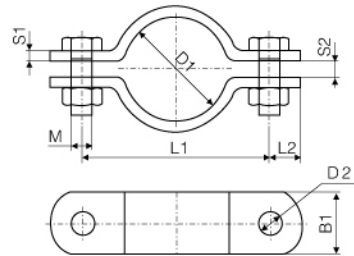
**SXGJF1-\*\*双螺栓扁钢管夹 SXGJF1-\*\*flat steel pipe clamps with two bolts**

简介: 本产品适用于冶金、石油、化工、车辆、船舶、电力等机械液压系统中的油、水、气为介质的固定管道管夹。  
Brief Introduction: This type of products is mechanical hydraulic system applicable for fixing pipes having oil, water and gas as media of mechanical hydraulic systems in fields like metallurgy, petroleum, chemical industry, automobile, shipping and electricity.

SX	GJ	F1	*	**
苏鑫管夹 Susen Clamps	苏鑫规格 Susen Specification	型号结构 Model & Structure	材质 Materials	管径 Pipe Diameter

执行国家标准为Acc. to national standard: JB / ZQ 4511-97(A型)  
执行德国标准为Acc. to German standard: DIN 3567(A型)

- ★组成: 管夹体、底板和螺栓组成
- ★Components: clamp body, base plate and bolt
- ★管夹体材质: SXGJF1-\*\*表示均为碳钢双螺栓扁钢管夹
- ★Clamp body material: SXGJF1-\*\* flat carbon steel pipe clamp with two bolts
- ★订货示例: 管外径为  $\phi 168$
- ★Order model: Take pipe outside diameter 168 as an example  
双螺栓扁钢管夹SXGJF1-168  
Flat carbon steel pipe clamp with two bolts SXGJF1-168



说明Note: 1、管夹表面处理为镀锌, 可根据客户要求选用其它表面处理方法。  
1、Clamp surface is galvanized which can be treated with other methods upon customer's request.  
2、本公司可根据客户要求(设计)生产或使用其它材料和管径。  
2、Manufacture (design) or use other materials and pipe diameters upon customer's request.

系列series D1	公称宽度Nominal width		L1	L2	S1	S2	D2	B1	外六角螺栓螺母 Hexagon bolt nut
	mm	管英寸inch							
20	15		57	15	5	7	12	30	M10 x 30 M10
22	15		59						
25	20		62						
27	20	3/4	66						
30	25		68						
34	25	1	72						
38	32		76						
43	32	1 1/4	82						
45	40		84						
49	40	1 1/2	88						
57	50		104	18	6	9	14	40	M12 x 35 M12
61	50	2	108						
77	65	2 1/2	122						
89	80	3	136						
108	100		172						
115	100	4	178						
133	125		196						
140	125		204						
159	150		222						
169	150		232						
194	175		258	24	8	11	18	50	M16 x 45 M16
216	200		280						
220	200		284						
267	250		342						
273	250		348						
318	300		392						
324	300		398						
368	350		444						
407	400		498						
419	400		510						
521	500		614	36	10	18	27	70	M24 x 60 M24

如使用不同的形式或其它要求请在订货时说明  
Other forms or requirements need to be expressed by ordering.

符合德标: DIN3015A  
Acc. to German standard: DIN3015A





中国供应商出口通



<http://sxxgj.cn.alibaba.com>  
阿里巴巴诚信通会员



<http://www.ycsxgj.com>  
tel: 400-647-5988

## 江苏苏鑫管夹制造有限公司

Jiangsu Susen Clamps Manufacturing Co., Ltd.

地 址: 江苏省阜宁县经济开发区中小企业园A区8号  
Address: No. 8, Block A, Medium and Small-sized Industrial Park,  
Funing Economic Development Zone, Jiangsu Province

销售热线Sales Hotline: 400-647-5988 +86-515-87078988  
技术咨询热线Technical Consultation Hotline: +86-515-87172233  
传 真Fax: +86-515-87078222 +86-515-87236490  
手 机Cell Phone: 0-139-1465-5988  
网 址Website: [www.ycsxgj.com](http://www.ycsxgj.com)  
邮 件E-mail: [sidd@163.net](mailto:sidd@163.net) Q Q: 493269609

销售二部 2nd Sales Department

销售热线SalesHotline: +86-515-87078111 87230308  
技术咨询热线TechnicalConsultationHotline: +86-515-87230139  
传 真Fax: +86-515-87172333  
手 机Cell Phone: 0-134-0172-9488  
网 址Website: [www.ycsxgj.com](http://www.ycsxgj.com)  
邮 件E-mail: [157930088@qq.com](mailto:157930088@qq.com)  
Q Q: 157930088