

执行国标 (A cc.to national standard) :JB/ZQ4008-2006

双联管夹 Twin pipe clamps

双联系列单螺栓固定式 Twin series with single bolt

双联管夹： 本产品适用于冶金、石油、化工、车辆、船舶、电力等机械液压系统中的油、水、气为介质的固定管道管夹。双联系列管夹适用于中压、低压 (PN≤8MPa) 管道固定。

Twin pipe clamps: This type of products is applicable for fixed pipes having oil, water and gas as media of mechanical hydraulic systems in fields like metallurgy, petroleum, chemical industry, automobile, shipping, and electricity. Light series is applicable for fixing MP and LP pipes (PN≤8MPa).

- 1、SXTPG*– 工程聚丙烯双联内孔凹槽型管夹 **工作温度 -30~+90℃**
- 1、SXTPG*_Engineering polypropylene grooved inside twin pipe clamp **work temperature -30+90℃**
- 2、SXTPS*– 工程聚丙烯双联内孔光滑型管夹 **工作温度 -30~+90℃**
- 2、SXTPS*_Engineering polypropylene smooth inside twin pipe clamp **work temperature -30+90℃**
- 3、SXTNG*– 增强尼龙双联内孔凹槽型管夹 **工作温度 -40~+120℃**
- 3、SXTNG*_Reinforced polyamide grooved inside twin pipe clamp **work temperature -40+120℃**
- 4、SXTNS*– 增强尼龙双联内孔光滑型管夹 **工作温度 -40~+120℃**
- 4、SXTNS*_Reinforced polyamide smooth inside twin pipe clamp **work temperature -40+120℃**
- 5、SXTLG*– 铝合金双联内孔凹槽型管夹 **工作温度 -50~+300℃**
- 5、SXTLG*_Aluminum alloy grooved inside twin pipe clamp **work temperature -50+300℃**
- 6、SXTSG*– 塑钢双联内孔凹槽型管夹 **工作温度 -50~+300℃**
- 6、SXTSG*_POM grooved inside twin pipe clamp **work temperature -50+300℃**
- 7、SXTGG*– 钢制双联内孔凹槽型管夹 **工作温度 -80~+500℃**
- 7、SXTGG*_Steel grooved inside twin pipe clamp **work temperature -80+500℃**
- 8、SXTBG*– 不锈钢双联内孔凹槽型管夹 **工作温度 -80~+500℃**
- 8、SXTBG*_Stainless steel grooved inside twin pipe clamp **work temperature -80+500℃**

说明：1、盖板、焊接底板、导轨、导轨螺母、螺栓标准材料为碳钢，根据客户需要可选用其它材料。请在订货时说明。

2、可以设计多层管夹，最多五层

3、其它型式底板或导轨用 SXAL* 型式底板或导轨

Note: 1. Standard material of cover plates, welded base plates, rails, rail nuts, and bolts is carbon steel. Other materials are available upon customer' s request which needs to be expressed by ordering.

2. Multi-layers are available, five layers the most.

3. SXAL * base plates or rails are available.



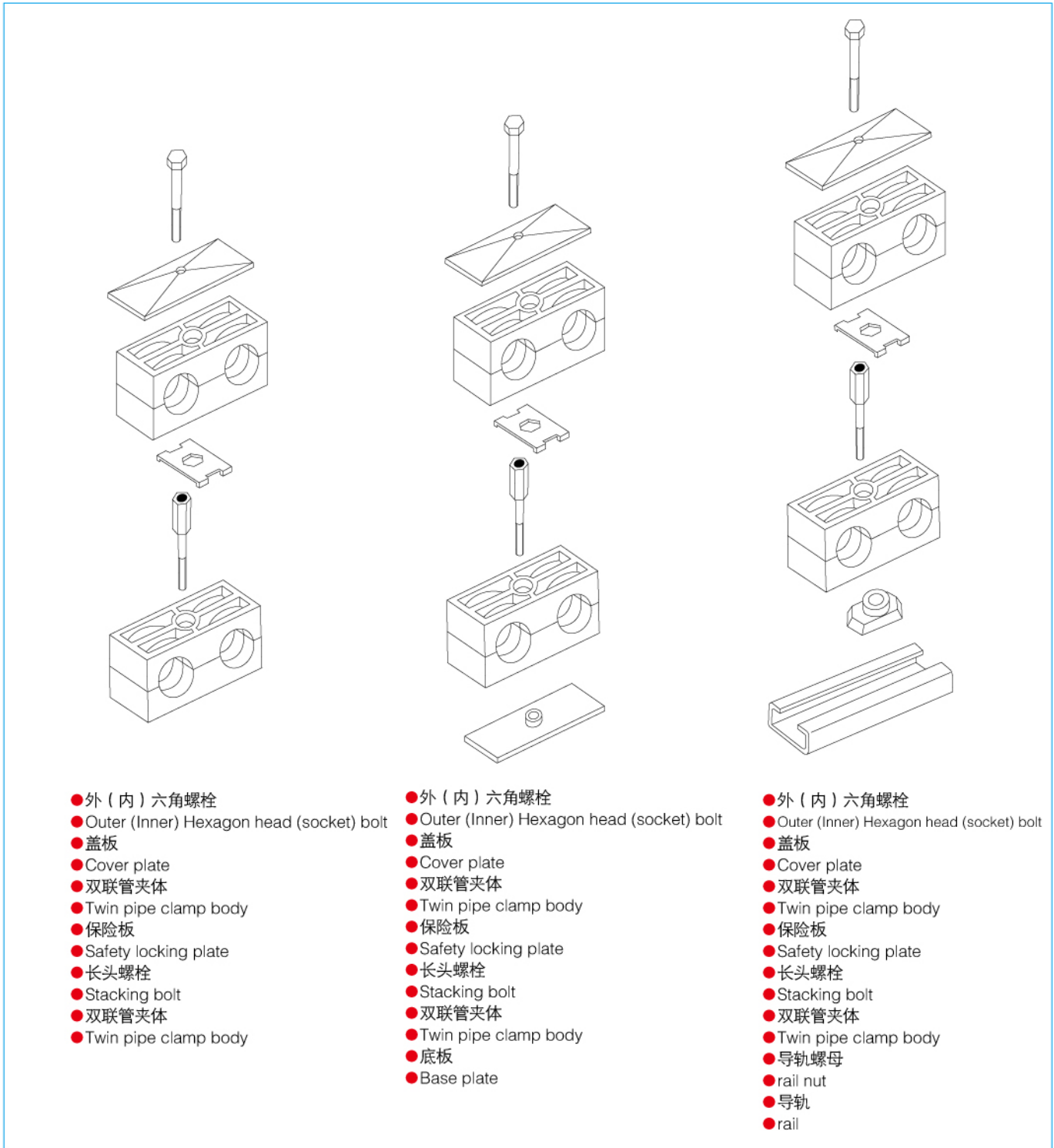
如使用不同的形式或其它要求请在订货时说明
Other forms or requirements need to be expressed by ordering.

符合德标: DIN3015 III
Acc. to German standard: DIN3015 III

执行国标 (A cc.to national standard) :JB/ZQ4008-2006

双联组合系列 Twin combination series

示意图
Schematic drawing



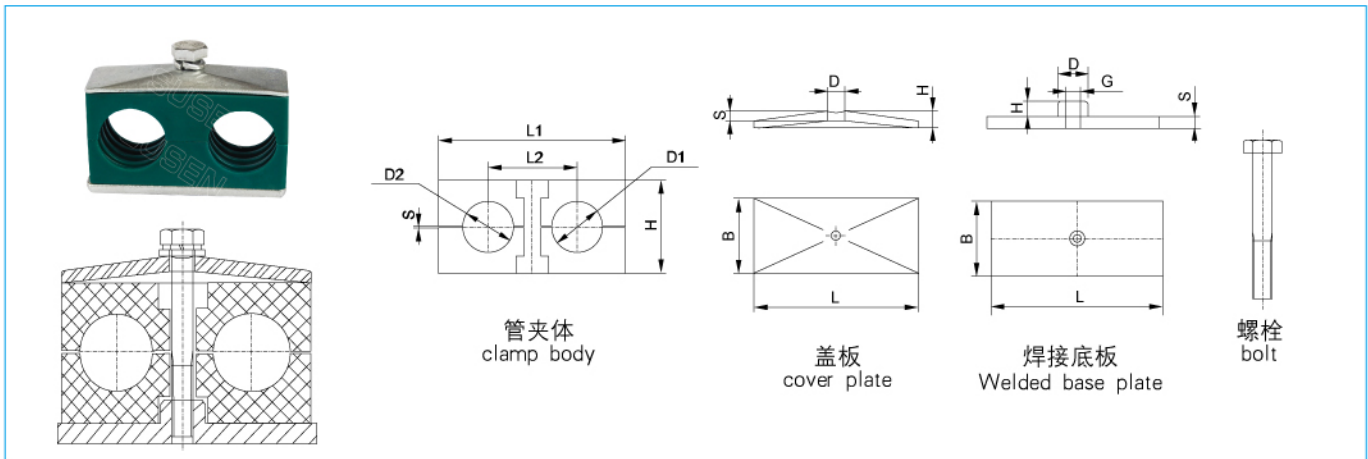
如使用不同的形式或其它要求请在订货时说明
Other forms or requirements need to be expressed by ordering.

符合德标: DIN3015 III
Acc. to German standard: DIN3015 III

执行国标 (A cc.to national standard) :JB/ZQ4008-2006

SXT*G1双联双孔管夹 SXT*G1 twin pipe clamps

外六角螺丝+盖板+管夹体+焊接底板 Hexagon head bolt+cover plate+clamp body+Welded base plate



系列 Series	订货号 Order code	管外径pipe O.D. D1/D2	管夹体 clamp body					盖板 cover plate				焊接底板 Welded base plate					螺栓 bolt
			L1	L2	H	S	宽度 width	L	H	S	D	L	S	H	D	G	
L1	SXT*G1-106	6/6	36	20	27	0.8	30	36	7	3	7	37	3	6	12	M6	M6 × 35
	SXT*G1-106.4	6.4/6.4															
	SXT*G1-108	8/8															
	SXT*G1-109.5	9.5/9.5															
	SXT*G1-110	10/10															
	SXT*G1-112	12/12															
L2	SXT*G1-212.7	12.7/12.7	53	29	27	0.8	30	53	7	3	9	55	5	6	14	M8	M8 × 35
	SXT*G1-213.5	13.5/13.5															
	SXT*G1-214	14/14															
	SXT*G1-215	15/15															
	SXT*G1-216	16/16															
	SXT*G1-217.2	17.2/17.2															
	SXT*G1-218	18/18															
L3	SXT*G1-319	19/19	67	36	37	0.8	30	67	7	3	9	70	5	6	14	M8	M8 × 45
	SXT*G1-320	20/20															
	SXT*G1-321.3	21.3/21.3															
	SXT*G1-322	22/22															
	SXT*G1-325	25/25															
L4	SXT*G1-426.9	26.9/26.9	80	45	40	0.8	30	80	7	3	9	85	5	6	14	M8	M8 × 50
	SXT*G1-428	28/28															
	SXT*G1-430	30/30															
L5	SXT*G1-532	32/32	106	56	53	0.8	30	106	7	3	9	110	5	6	14	M8	M8 × 60
	SXT*G1-533.7	33.7/33.7															
	SXT*G1-535	35/35															
	SXT*G1-538	38/38															
	SXT*G1-540	40/40															
	SXT*G1-542	42/42															

说明: 在同一系列管外径可不同。例如 T2、φ 16、φ 18SXT * G1-216/218

Note: Out diameters of pipes in the same series can be different. E.g. T2, φ 16, φ 18SXT*G1-216/218

如使用不同的形式或其它要求请在订货时说明

Other forms or requirements need to be expressed by ordering.

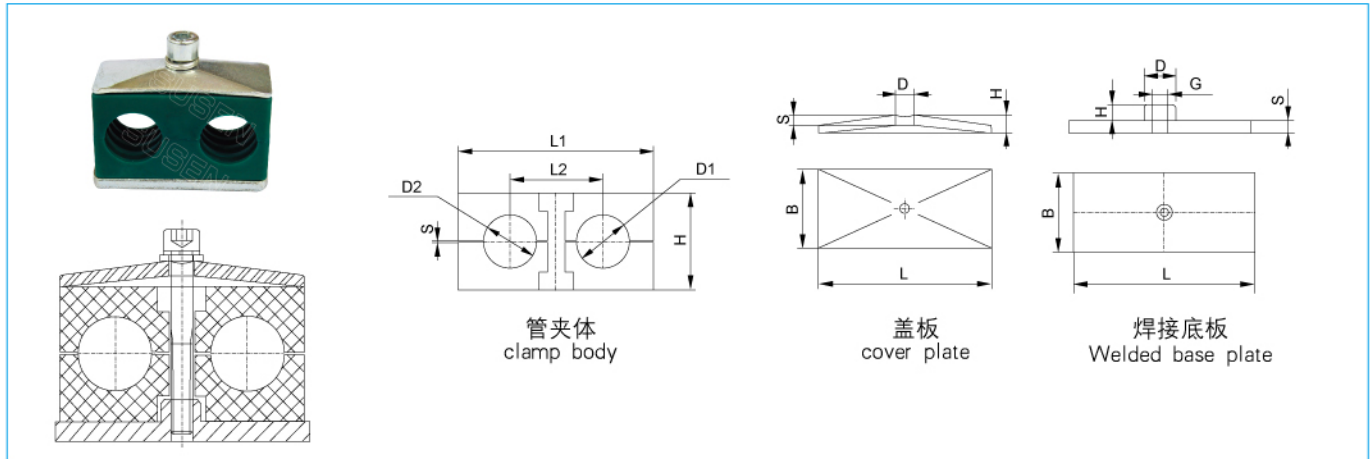
符合德标: DIN3015 III

Acc. to German standard: DIN3015 III

执行国标 (A cc.to national standard) :JB/ZQ4008-2006

SXT*G2双联双孔管夹 SXT*G2 twin pipe clamps

内六角螺栓+盖板+管夹体+焊接底板 Hexagon socket bolt + cover plate + clamp body + welded base plate



系列 Series	订货号 Order code	管外径pipe O.D. D1/D2	管夹体 clamp body					盖板 cover plate				焊接底板 Welded base plate					螺栓 bolt
			L1	L2	H	S	宽度 width	L	H	S	D	L	S	H	D	G	
L1	SXT*G2-106	6/6	36	20	27	0.8	30	36	7	3	7	37	3	6	12	M6	M6 × 35
	SXT*G2-106.4	6.4/6.4															
	SXT*G2-108	8/8															
	SXT*G2-109.5	9.5/9.5															
	SXT*G2-110	10/10															
	SXT*G2-112	12/12															
L2	SXT*G2-212.7	12.7/12.7	53	29	27	0.8	30	53	7	3	9	55	5	6	14	M8	M8 × 35
	SXT*G2-213.5	13.5/13.5															
	SXT*G2-214	14/14															
	SXT*G2-215	15/15															
	SXT*G2-216	16/16															
	SXT*G2-217.2	17.2/17.2															
	SXT*G2-218	18/18															
L3	SXT*G2-319	19/19	67	36	37	0.8	30	67	7	3	9	70	5	6	14	M8	M8 × 45
	SXT*G2-320	20/20															
	SXT*G2-321.3	21.3/21.3															
	SXT*G2-322	22/22															
	SXT*G2-325	25/25															
L4	SXT*G2-426.9	26.9/26.9	80	45	40	0.8	30	80	7	3	9	85	5	6	14	M8	M8 × 50
	SXT*G2-428	28/28															
	SXT*G2-430	30/30															
L5	SXT*G2-532	32/32	106	56	53	0.8	30	106	7	3	9	110	5	6	14	M8	M8 × 60
	SXT*G2-533.7	33.7/33.7															
	SXT*G2-535	35/35															
	SXT*G2-538	38/38															
	SXT*G2-540	40/40															
	SXT*G2-542	42/42															

说明: 在同一系列管外径可不同。例如 T2、φ 16、φ 18SXT * G1-216/218

Note: Out diameters of pipes in the same series can be different. E.g. T2, φ 16, φ 18SXT*G1-216/218

如使用不同的形式或其它要求请在订货时说明

Other forms or requirements need to be expressed by ordering.

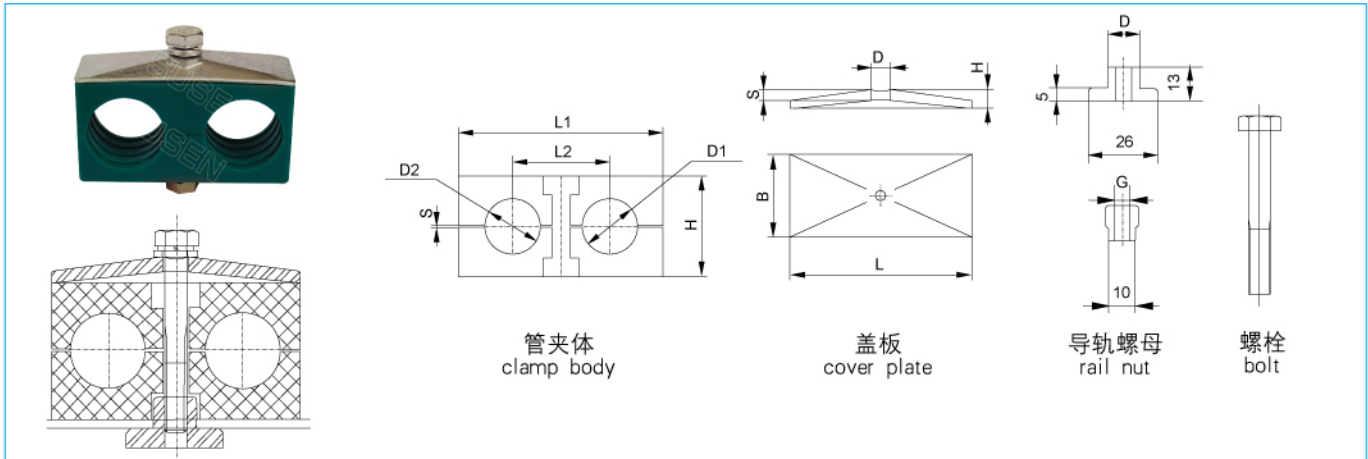
符合德标: DIN3015 III

Acc. to German standard: DIN3015 III

执行国标 (A cc.to national standard) :JB/ZQ4008-2006

SXT*G3双联双孔管夹 SXT*G3 twin pipe clamps

外六角螺丝+盖板+管夹体+导轨螺母 Hexagon head bolt+cover plate+clamp body+rail nut



系列 Series	订货号 Order code	管外径pipe O.D. D1/D2	管夹体 clamp body					盖板 cover plate				导轨螺母 rail nut		螺栓 bolt
			L1	L2	H	S	宽度 width	L	H	S	D	D	G	
L1	SXT*G3-106	6/6	36	20	27	0.8	30	36	7	3	7	12	M6	M6 × 35
	SXT*G3-106.4	6.4/6.4												
	SXT*G3-108	8/8												
	SXT*G3-109.5	9.5/9.5												
	SXT*G3-110	10/10												
	SXT*G3-112	12/12												
L2	SXT*G3-212.7	12.7/12.7	53	29	27	0.8	30	53	7	3	9	14	M8	M8 × 35
	SXT*G3-213.5	13.5/13.5												
	SXT*G3-214	14/14												
	SXT*G3-215	15/15												
	SXT*G3-216	16/16												
	SXT*G3-217.2	17.2/17.2												
	SXT*G3-218	18/18												
L3	SXT*G3-319	19/19	67	36	37	0.8	30	67	7	3	9	14	M8	M8 × 45
	SXT*G3-320	20/20												
	SXT*G3-321.3	21.3/21.3												
	SXT*G3-322	22/22												
	SXT*G3-325	25/25												
L4	SXT*G3-426.9	26.9/26.9	80	45	40	0.8	30	80	7	3	9	14	M8	M8 × 50
	SXT*G3-428	28/28												
	SXT*G3-430	30/30												
L5	SXT*G3-532	32/32	106	56	53	0.8	30	106	7	3	9	14	M8	M8 × 60
	SXT*G3-533.7	33.7/33.7												
	SXT*G3-535	35/35												
	SXT*G3-538	38/38												
	SXT*G3-540	40/40												
	SXT*G3-542	42/42												

说明: 在同一系列管外径可不同。例如 T2、φ 16、φ 18SXT * G1-216/218

Note: Out diameters of pipes in the same series can be different. E.g. T2, φ 16, φ 18SXT*G1-216/218

如使用不同的形式或其它要求请在订货时说明

Other forms or requirements need to be expressed by ordering.

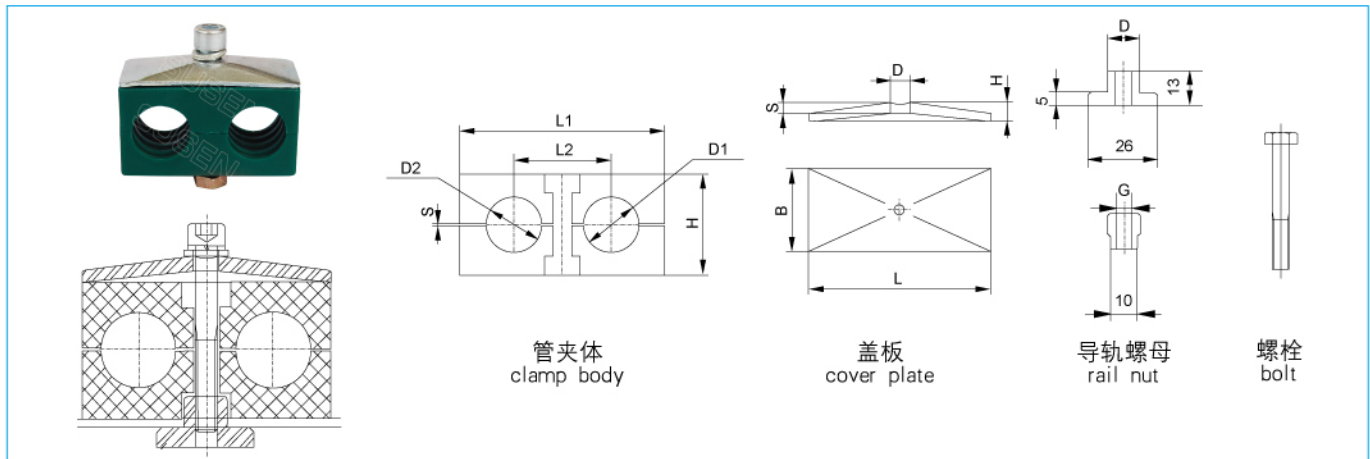
符合德标: DIN3015 III

Acc. to German standard: DIN3015 III

执行国标 (A cc.to national standard) :JB/ZQ4008-2006

SXT*G4双联双孔管夹 SXT*G4 twin pipe clamps

内六角螺栓+盖板+管夹体+导轨螺母 Hexagon socket bolt + cover plate + clamp body + rail nut



系列 Series	订货号 Order code	管外径pipe O.D. D1/D2	管夹体 clamp body					盖板 cover plate				导轨螺母 rail nut		螺栓 bolt
			L1	L2	H	S	宽度 width	L	H	S	D	D	G	
L1	SXT*G4-106	6/6	36	20	27	0.8	30	36	7	3	7	12	M6	M6 × 35
	SXT*G4-106.4	6.4/6.4												
	SXT*G4-108	8/8												
	SXT*G4-109.5	9.5/9.5												
	SXT*G4-110	10/10												
	SXT*G4-112	12/12												
L2	SXT*G4-212.7	12.7/12.7	53	29	27	0.8	30	53	7	3	9	14	M8	M8 × 35
	SXT*G4-213.5	13.5/13.5												
	SXT*G4-214	14/14												
	SXT*G4-215	15/15												
	SXT*G4-216	16/16												
	SXT*G4-217.2	17.2/17.2												
	SXT*G4-218	18/18												
L3	SXT*G4-319	19/19	67	36	37	0.8	30	67	7	3	9	14	M8	M8 × 45
	SXT*G4-320	20/20												
	SXT*G4-321.3	21.3/21.3												
	SXT*G4-322	22/22												
	SXT*G4-325	25/25												
L4	SXT*G4-426.9	26.9/26.9	80	45	40	0.8	30	80	7	3	9	14	M8	M8 × 50
	SXT*G4-428	28/28												
	SXT*G4-430	30/30												
L5	SXT*G4-532	32/32	106	56	53	0.8	30	106	7	3	9	14	M8	M8 × 60
	SXT*G4-533.7	33.7/33.7												
	SXT*G4-535	35/35												
	SXT*G4-538	38/38												
	SXT*G4-540	40/40												
	SXT*G4-542	42/42												

说明: 在同一系列管外径可不同。例如 T2、φ 16、φ 18SXT * G1-216/218

Note: Out diameters of pipes in the same series can be different. E.g. T2, φ 16, φ 18SXT*G1-216/218

如使用不同的形式或其它要求请在订货时说明

Other forms or requirements need to be expressed by ordering.

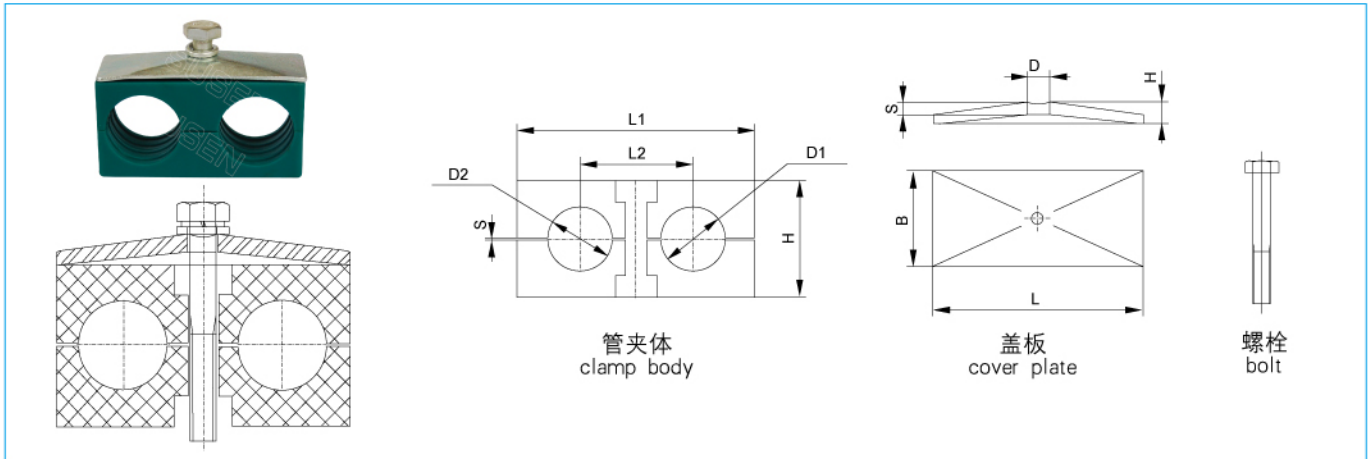
符合德标: DIN3015 III

Acc. to German standard: DIN3015 III

执行国标 (A cc.to national standard) :JB/ZQ4008-2006

SXT*G5双联双孔管夹 SXT*G5 twin pipe clamps

外六角螺栓+盖板+管夹体 Hexagon head bolt+cover plate+clamp body



系列 Series	订货号 Order code	管外径pipe O.D. D1/D2	管夹体 clamp body					盖板 cover plate				螺栓 bolt
			L1	L2	H	S	宽度 width	L	H	S	D	
L1	SXT*G5-106	6/6	36	20	27	0.8	30	36	7	3	7	M6 × 35
	SXT*G5-106.4	6.4/6.4										
	SXT*G5-108	8/8										
	SXT*G5-109.5	9.5/9.5										
	SXT*G5-110	10/10										
	SXT*G5-112	12/12										
L2	SXT*G5-212.7	12.7/12.7	53	29	27	0.8	30	53	7	3	9	M8 × 35
	SXT*G5-213.5	13.5/13.5										
	SXT*G5-214	14/14										
	SXT*G5-215	15/15										
	SXT*G5-216	16/16										
	SXT*G5-217.2	17.2/17.2										
	SXT*G5-218	18/18										
L3	SXT*G5-319	19/19	67	36	37	0.8	30	67	7	3	9	M8 × 45
	SXT*G5-320	20/20										
	SXT*G5-321.3	21.3/21.3										
	SXT*G5-322	22/22										
	SXT*G5-325	25/25										
L4	SXT*G5-426.9	26.9/26.9	80	45	40	0.8	30	80	7	3	9	M8 × 50
	SXT*G5-428	28/28										
	SXT*G5-430	30/30										
L5	SXT*G5-532	32/32	106	56	53	0.8	30	106	7	3	9	M8 × 60
	SXT*G5-533.7	33.7/33.7										
	SXT*G5-535	35/35										
	SXT*G5-538	38/38										
	SXT*G5-540	40/40										
	SXT*G5-542	42/42										

说明: 在同一系列管外径可不同。例如 T2、φ 16、φ 18SXT * G1-216/218

Note: Out diameters of pipes in the same series can be different. E.g. T2, φ 16, φ 18SXT*G1-216/218

如使用不同的形式或其它要求请在订货时说明

Other forms or requirements need to be expressed by ordering.

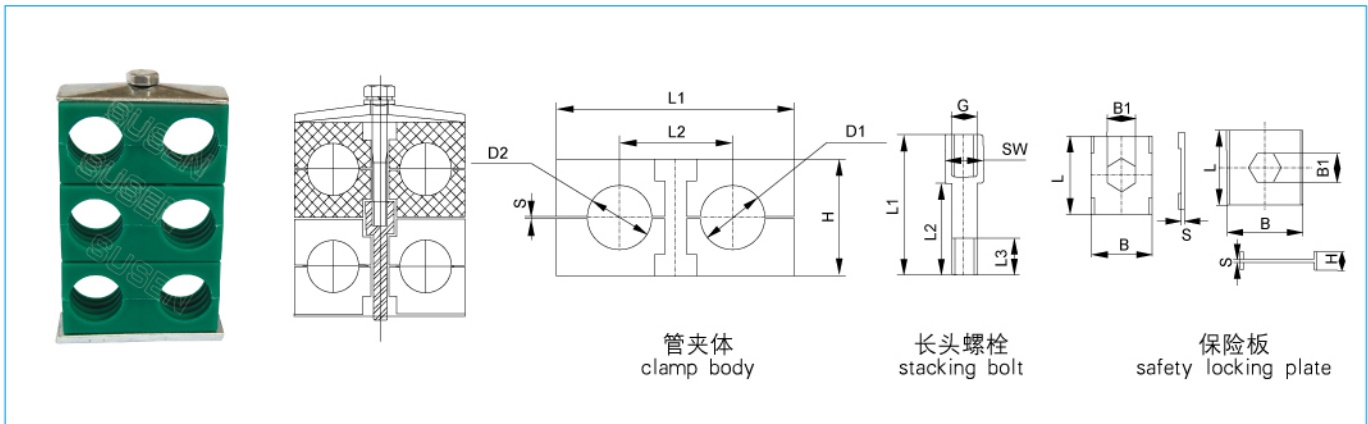
符合德标: DIN3015 III

Acc. to German standard: DIN3015 III

执行国标 (A cc.to national standard) :JB/ZQ4008-2006

SXT*G6双联双孔管夹 SXT*G6 twin pipe clamps

长头螺栓+管夹板+保险板 Stacking bolt+clamp body+safety locking plate



管夹体
clamp body

长头螺栓
stacking bolt

保险板
safety locking plate

系列 Series	订货号 Order code	管外径pipe O.D. D1/D2	管夹体 clamp body					长头螺栓 stacking bolt					保险板 safety locking plate			
			L1	L2	H	S	宽 width	G	L1	L2	L3	SW	L	B	B1	S
L1	SXT*G6-106	6/6	36	20	27	0.8	30	M6	34	20	12	11	A27 B27	A22 B28	11	1
	SXT*G6-106.4	6.4/6.4														
	SXT*G6-108	8/8														
	SXT*G6-109.5	9.5/9.5														
	SXT*G6-110	10/10														
SXT*G6-112	12/12															
L2	SXT*G6-212.7	12.7/12.7	53	29	27	0.8	30	M8	33	20	12	12	A27 B45	A22 B28	12	1
	SXT*G6-213.5	13.5/13.5														
	SXT*G6-214	14/14														
	SXT*G6-215	15/15														
	SXT*G6-216	16/16														
	SXT*G6-217.2	17.2/17.2														
SXT*G6-218	18/18															
L3	SXT*G6-319	19/19	67	36	37	0.8	30	M8	44	29	12	12	A27 B45	A22 B28	12	1
	SXT*G6-320	20/20														
	SXT*G6-321.3	21.3/21.3														
	SXT*G6-322	22/22														
	SXT*G6-325	25/25														
L4	SXT*G6-426.9	26.9/26.9	80	45	40	0.8	30	M8	49	34	12	12	A27 B45	A22 B28	12	1
	SXT*G6-428	28/28														
	SXT*G6-430	30/30														
L5	SXT*G6-532	32/32	106	56	53	0.8	30	M8	61	46	12	12	A27 B45	A22 B28	12	1
	SXT*G6-533.7	33.7/33.7														
	SXT*G6-535	35/35														
	SXT*G6-538	38/38														
	SXT*G6-540	40/40														
SXT*G6-542	42/42															

说明：在同一系列管外径可不同。例如 T2、φ 16、φ 18SXT * G1-216/218 (可以设计多层管夹，最多五层)

Note: Out diameters of pipes in the same series can be different. E.g. T2, φ 16, φ 18SXT*G1-216/218

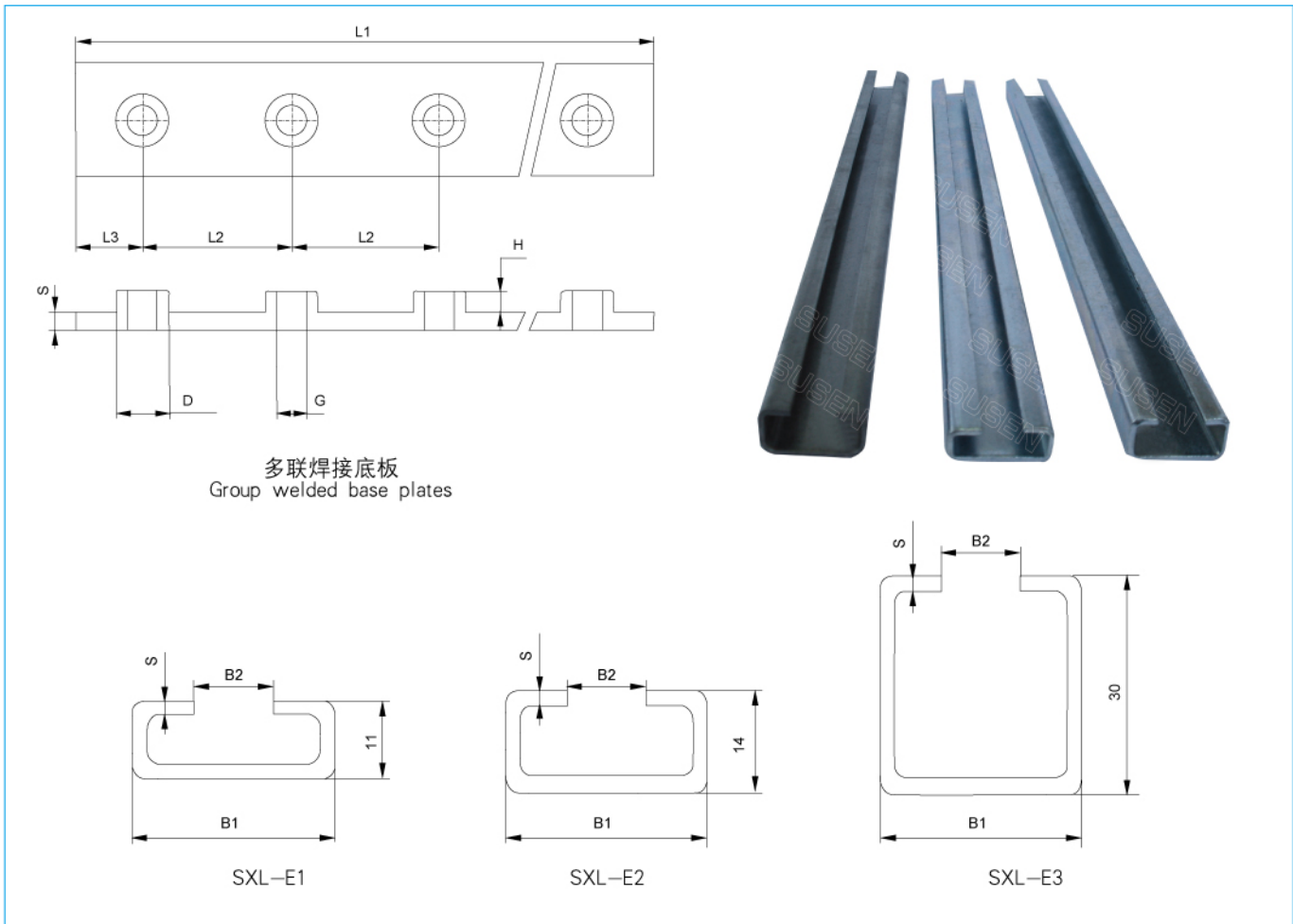
Multi-layer clamps are possible, five layers at most.

如使用不同的形式或其它要求请在订货时说明
Other forms or requirements need to be expressed by ordering.

符合德标: DIN3015 III
Acc. to German standard: DIN3015 III

执行国标 (A cc.to national standard) :JB/ZQ4008-2006

SXT*其它形式底板或导轨 Other SXT* Base Plates or Rails



系列 Series	多联焊接底板 Group welded base plates							安装导轨 Rails for installation		
	L1	L2	L3	S	H	G	φD	B1	B2	S
L1	More than 1w/in acc. to need 双联以上根据实际	40	18	3	6	M6	12	28	11	2
L2		58	28	5	6	M8	14			
L3		72	35	5	6	M8	14			
L4		90	42	5	6	M8	14			
L5		112	55	5	6	M8	14			

如使用不同的形式或其它要求请在订货时说明
Other forms or requirements need to be expressed by ordering.

符合德标: DIN3015 III
Acc. to German standard: DIN3015 III