

执行国标 ( Acc.to national standard ) :JB/ZQ4008-2006

轻型管夹 light pipe clamps

L1-L8系列双螺栓固定式 L1-L8 series with double bolts

**轻型管夹：** 本产品适用于冶金、石油、化工、车辆、船舶、电力等机械液压系统中的油、水、气为介质的固定管道管夹。轻型系列管夹适用于中压、低压 ( PN≤8MPa ) 管道固定。

**Light pipe clamps:** This type of products is applicable for fixed pipes having oil, water and gas as media of mechanical hydraulic systems in fields like metallurgy, petroleum, chemical industry, automobile, shipping, and electricity. Light series is applicable for fixing MP and LP pipes (PN≤8MPa).

- 1、SXLPG\* - 工程聚丙烯轻型内孔凹槽型管夹 **工作温度 -30~+90°C**
- 1、SXLPG\*\_Engineering polypropylene grooved inside light pipe clamps, **work temperature -30 ~ +90°C**
- 2、SXLPS\* - 工程聚丙烯轻型内孔光滑型管夹 **工作温度 -30~+90°C**
- 2、SXLPS\*\_Engineering polypropylene smooth inside light pipe clamps, **work temperature -30 ~ +90°C**
- 3、SXLNG\* - 增强尼龙轻型内孔凹槽型管夹 **工作温度 -40~+120°C**
- 3、SXLNG\*\_Reinforced polyamide grooved inside light pipe clamps, **work temperature -40 ~ +120°C**
- 4、SXLNS\* - 增强尼龙轻型内孔光滑型管夹 **工作温度 -40~+120°C**
- 4、SXLNS\*\_Reinforced polyamide smooth inside light pipe clamps, **work temperature -40 ~ +120°C**
- 5、SXLLG\* - 铝合金轻型内孔凹槽型管夹 **工作温度 -50~+300°C**
- 5、SXLLG\*\_Aluminum alloy grooved inside light pipe clamps, **work temperature -50 ~ +300°C**
- 6、SXLSG\* - 塑钢轻型内孔凹槽型管夹 **工作温度 -50~+300°C**
- 6、SXLSG\*\_POM grooved inside light pipe clamps, **work temperature -80 ~ +500°C**
- 7、SXLGG\* - 钢制轻型内孔凹槽型管夹 **工作温度 -80~+500°C**
- 7、SXLGG\*\_Steel grooved inside light pipe clamps, **work temperature -80 ~ +500°C**
- 8、SXLBG\* - 不锈钢轻型内孔凹槽型管夹 **工作温度 -80~+500°C**
- 8、SXLBG\*\_Stainless steel grooved inside light pipe clamps, **work temperature -80 ~ +500°C**

说明：1、盖板、焊接底板、导轨、导轨螺母、螺栓标准材料为碳钢，根据客户需要可选用其它材料。请在订货时说明。

2、可以设计多层管夹，最多五层

Note: 1. Standard material of cover plates, welded base plates, rails, rail nuts, and bolts is carbon steel. Other materials are available upon customer's request which needs to be expressed by ordering.

2. Multi-layers are available, five layers the most.



如使用不同的形式或其它要求请在订货时说明  
Other forms or requirements need to be expressed by ordering.

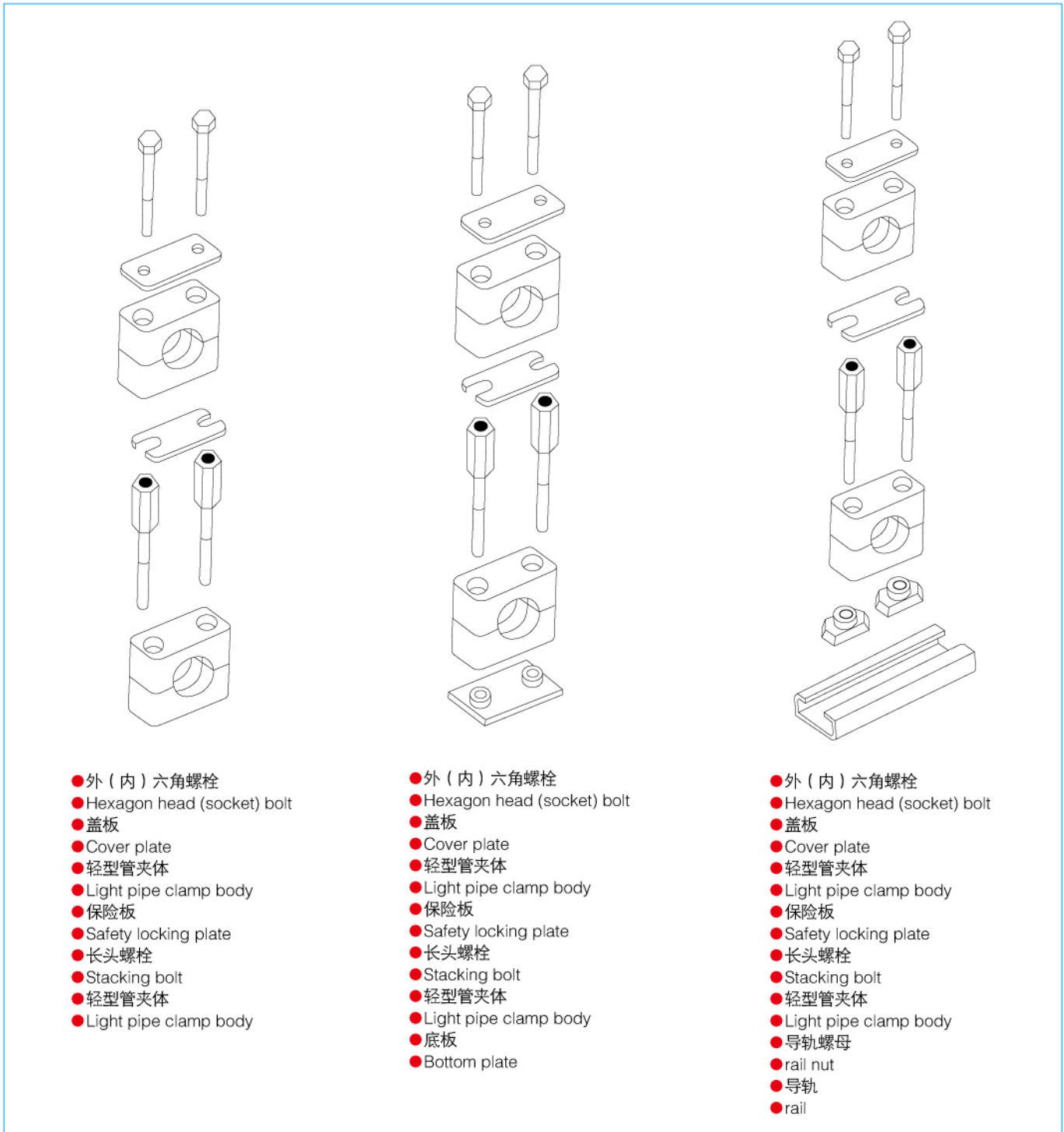
符合德标: DIN3015 I  
Acc. to German standard: DIN3015 I

执行国标 ( A cc.to national standard ) :JB/ZQ4008-2006

**轻型组合系列**

**light combination series**

**示意图**  
Schematic drawing



- 外 ( 内 ) 六角螺栓
- Hexagon head (socket) bolt
- 盖板
- Cover plate
- 轻型管夹体
- Light pipe clamp body
- 保险板
- Safety locking plate
- 长头螺栓
- Stacking bolt
- 轻型管夹体
- Light pipe clamp body

- 外 ( 内 ) 六角螺栓
- Hexagon head (socket) bolt
- 盖板
- Cover plate
- 轻型管夹体
- Light pipe clamp body
- 保险板
- Safety locking plate
- 长头螺栓
- Stacking bolt
- 轻型管夹体
- Light pipe clamp body
- 底板
- Bottom plate

- 外 ( 内 ) 六角螺栓
- Hexagon head (socket) bolt
- 盖板
- Cover plate
- 轻型管夹体
- Light pipe clamp body
- 保险板
- Safety locking plate
- 长头螺栓
- Stacking bolt
- 轻型管夹体
- Light pipe clamp body
- 导轨螺母
- rail nut
- 导轨
- rail

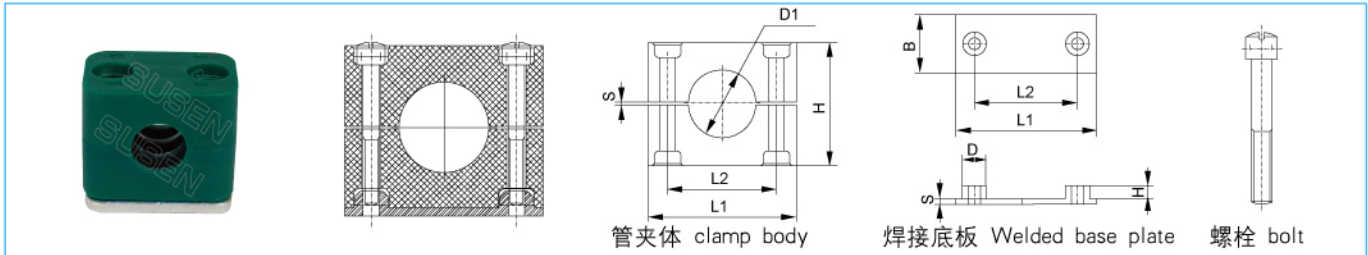
如使用不同的形式或其它要求请在订货时说明  
Other forms or requirements need to be expressed by ordering.

符合德标: DIN3015 I  
Acc. to German standard: DIN3015 I

执行国标 ( A cc.to national standard ) :JB/ZQ4008-2006

**SXL\*G1轻型管夹** SXL\*G1 light pipe clamps

开槽螺栓+管夹体+焊接底板 Grooved bolt + clamp body + welded base plate



系列 Series	订货号 Order code	管外径 O.D. D1	英寸内径 I.D. inch	英寸外径 Inch O.D.	管夹体 Clamp body					焊接底板 Welded base plate						螺栓 bolt
					L1	L2	H	S	宽 width	L1	L2	B	S	H	D	
L1	SXL*G1-106	6			37	20	27	0.4	30	37	20	30	3	6.5	12	M6 × 20
	SXL*G1-106.4	6.4		1/4												
	SXL*G1-108	8		5/16												
	SXL*G1-109.5	9.5		3/8												
	SXL*G1-110	10	1/8													
SXL*G1-112	12															
L2	SXL*G1-212.7	12.7		1/2	42	26	33	0.6	30	42	26	30	3	6.5	12	M6 × 25
	SXL*G1-213.5	13.5	1/4													
	SXL*G1-214	14														
	SXL*G1-215	15														
	SXL*G1-216	16		5/8												
	SXL*G1-217.2	17.2	3/8													
SXL*G1-218	18															
L3	SXL*G1-319	19		3/4	50	33	36	0.6	30	50	33	30	3	6.5	12	M6 × 30
	SXL*G1-320	20														
	SXL*G1-321.3	21.3	1/2													
	SXL*G1-322	22		7/8												
SXL*G1-325	25		1													
L4	SXL*G1-426.9	26.9	3/4		59	40	42	0.6	30	60	40	30	3	6.5	12	M6 × 35
	SXL*G1-428	28														
	SXL*G1-430	30														
L5	SXL*G1-532	32		1 1/4	71	52	58	0.8	30	71	52	30	3	6.5	12	M6 × 50
	SXL*G1-533.7	33.7	1													
	SXL*G1-535	35														
	SXL*G1-538	38		1 1/2												
	SXL*G1-540	40														
SXL*G1-542	42	1 1/4														
L6	SXL*G1-644.5	44.5		1 3/4	86	66	66	0.8	30	88	66	30	3	6.5	12	M6 × 60
	SXL*G1-648.3	48.3	1 1/2													
	SXL*G1-650.8	50.8		2												
L7	SXL*G1-757.2	57.2		2 1/4	121	94	93	0.8	30	122	94	30	5	6.5	12	M6 × 85
	SXL*G1-760.3	60.3	2													
	SXL*G1-763.5	63.5		2 1/2												
	SXL*G1-770	70		2 3/4												
	SXL*G1-773	73														
	SXL*G1-776.1	76.1	2 1/2	3												
L8	SXL*G1-888.9	88.9	3		147	120	118	0.8	30	148	120	30	5	6.5	12	M6 × 110
	SXL*G1-8102	102		4												

如使用不同的形式或其它要求请在订货时说明  
Other forms or requirements need to be expressed by ordering.

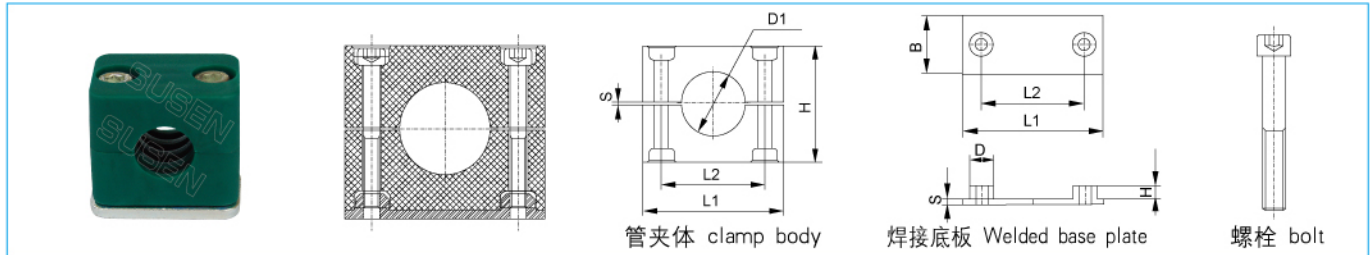
符合德标: DIN3015 I  
Acc. to German standard: DIN3015 I



执行国标 ( A cc.to national standard ) :JB/ZQ4008-2006

**SXL \*G2轻型管夹** SXL \*G2 light pipe clamps

内六角螺栓+管夹体+焊接底板 Hexagon socket bolt + clamp body + welded base plate



系列 Series	订货号 Order code	管外径 D1 O.D.	英寸内径 I.D. inch	英寸外径 Inch O.D.	管夹体 Clamp body					焊接底板 Welded base plate					螺栓 bolt	
					L1	L2	H	S	宽 width	L1	L2	B	S	H		D
L1	SXL *G2-106	6			37	20	27	0.4	30	37	20	30	3	6.5	12	M6 × 20
	SXL *G2-106.4	6.4	1/4													
	SXL *G2-108	8	5/16													
	SXL *G2-109.5	9.5	3/8													
	SXL *G2-110	10	1/8													
SXL *G2-112	12															
L2	SXL *G2-212.7	12.7		1/2	42	26	33	0.6	30	42	26	30	3	6.5	12	M6 × 25
	SXL *G2-213.5	13.5	1/4													
	SXL *G2-214	14														
	SXL *G2-215	15														
	SXL *G2-216	16	5/8													
	SXL *G2-217.2	17.2	3/8													
SXL *G2-218	18															
L3	SXL *G2-319	19		3/4	50	33	36	0.6	30	50	33	30	3	6.5	12	M6 × 30
	SXL *G2-320	20														
	SXL *G2-321.3	21.3	1/2													
	SXL *G2-322	22	7/8													
	SXL *G2-325	25	1													
L4	SXL *G2-426.9	26.9	3/4		59	40	42	0.6	30	60	40	30	3	6.5	12	M6 × 35
	SXL *G2-428	28														
	SXL *G2-430	30														
L5	SXL *G2-532	32		1 1/4	71	52	58	0.8	30	71	52	30	3	6.5	12	M6 × 50
	SXL *G2-533.7	33.7	1													
	SXL *G2-535	35														
	SXL *G2-538	38	1 1/2													
	SXL *G2-540	40														
SXL *G2-542	42	1 1/4														
L6	SXL *G2-644.5	44.5		1 3/4	86	66	66	0.8	30	88	66	30	3	6.5	12	M6 × 60
	SXL *G2-648.3	48.3	1 1/2													
	SXL *G2-650.8	50.8	2													
L7	SXL *G2-757.2	57.2		2 1/4	121	94	93	0.8	30	122	94	30	5	6.5	12	M6 × 85
	SXL *G2-760.3	60.3	2													
	SXL *G2-763.5	63.5	2 1/2													
	SXL *G2-770	70	2 3/4													
	SXL *G2-773	73														
SXL *G2-776.1	76.1	2 1/2	3													
L8	SXL *G2-888.9	88.9	3		147	120	118	0.8	30	148	120	30	5	6.5	12	M6 × 110
	SXL *G2-8102	102	4													

如使用不同的形式或其它要求请在订货时说明  
Other forms or requirements need to be expressed by ordering.

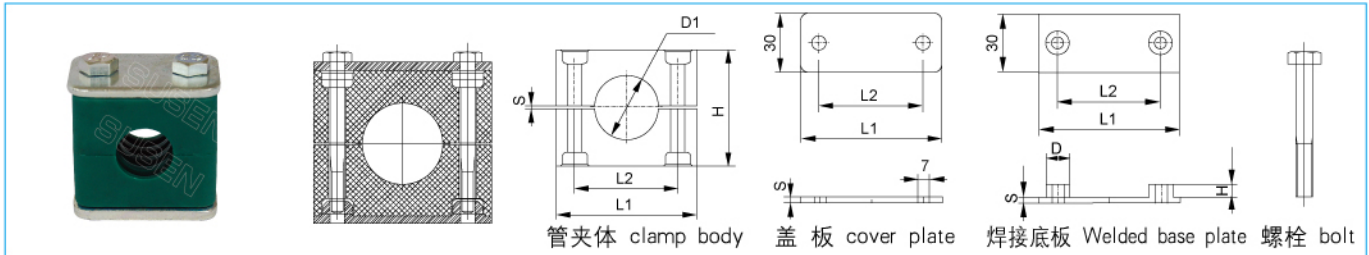
符合德标: DIN3015 I  
Acc. to German standard: DIN3015 I



执行国标 ( A cc.to national standard ) :JB/ZQ4008-2006

**SXL\*G3轻型管夹 SXL\*G3 light pipe clamps**

外六角螺栓+盖板+管夹体+焊接底板 Hexagon head bolt + cover plate + clamp body + welded base plate



系列 Series	订货号 Order code	管外径 D1 O.D.	英寸内径 I.D. inch	英寸外径 Inch O.D.	管夹体 Clamp body					盖板 cover plate			焊接底板 Welded base plate					螺栓 bolt						
					L1	L2	H	S	宽 width	L1	L2	S	L1	L2	S	H	D							
L1	SXL*G3-106	6																						
	SXL*G3-106.4	6.4		1/4																				
	SXL*G3-108	8		5/16	37	20	27	0.4	30	37	20	3	37	20	3	6.5	12						M6 × 30	
	SXL*G3-109.5	9.5		3/8																				
	SXL*G3-110	10	1/8																					
L2	SXL*G3-112	12																						
	SXL*G3-212.7	12.7		1/2																				
	SXL*G3-213.5	13.5	1/4																					
	SXL*G3-214	14			42	26	33	0.6	30	42	26	3	42	26	3	6.5	12						M6 × 35	
	SXL*G3-215	15																						
	SXL*G3-216	16		5/8																				
L3	SXL*G3-217.2	17.2	3/8																					
	SXL*G3-218	18																						
	SXL*G3-319	19		3/4																				
	SXL*G3-320	20																						
	SXL*G3-321.3	21.3	1/2		50	33	36	0.6	30	50	33	3	50	33	3	6.5	12						M6 × 40	
L4	SXL*G3-322	22		7/8																				
	SXL*G3-325	25		1																				
	SXL*G3-426.9	26.9	3/4		59	40	42	0.6	30	59	40	3	59	40	3	6.5	12						M6 × 45	
L5	SXL*G3-428	28																						
	SXL*G3-430	30																						
	SXL*G3-532	32		1 1/4																				
	SXL*G3-533.7	33.7	1																					
	SXL*G3-535	35																						
	SXL*G3-538	38		1 1/2	71	52	58	0.8	30	71	52	3	71	52	3	6.5	12						M6 × 60	
L6	SXL*G3-540	40																						
	SXL*G3-542	42	1 1/4																					
	SXL*G3-644.5	44.5		1 3/4																				
	SXL*G3-648.3	48.3	1 1/2		86	66	66	0.8	30	86	66	3	86	66	3	6.5	12						M6 × 70	
L7	SXL*G3-650.8	50.8		2																				
	SXL*G3-757.2	57.2		2 1/4																				
	SXL*G3-760.3	60.3	2																					
	SXL*G3-763.5	63.5		2 1/2																				
	SXL*G3-770	70		2 3/4	121	94	93	0.8	30	121	94	5	121	94	5	6.5	12						M6 × 100	
	SXL*G3-773	73																						
	SXL*G3-776.1	76.1	2 1/2	3																				
L8	SXL*G3-888.9	88.9	3																					
	SXL*G3-8102	102		4	147	120	118	0.8	30	147	120	5	147	120	5	6.5	12						M6 × 125	

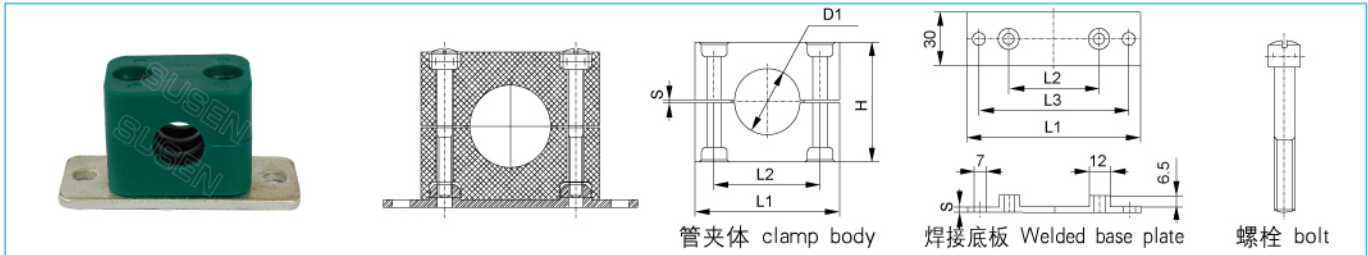
如使用不同的形式或其它要求请在订货时说明  
Other forms or requirements need to be expressed by ordering.

符合德标: DIN3015 I  
Acc. to German standard: DIN3015 I

执行国标 ( A cc.to national standard ) :JB/ZQ4008-2006

**SXL \*G4轻型管夹** SXL \*G4 light pipe clamps

开槽螺栓+管夹体+长焊接底板 Grooved bolt + clamp body + long welded base plate



系列 Series	订货号 Order code	管外径 D1 O.D.	英寸内径 I.D. inch	英寸外径 Inch O.D.	管夹体 Clamp body					长焊接底板 long Welded base plate				螺栓 bolt
					L1	L2	H	S	宽度 width	L1	L2	L3	S	
L1	SXL *G4-106	6			37	20	27	0.4	30	64	20	50	3	M6 × 20
	SXL *G4-106.4	6.4		1/4										
	SXL *G4-108	8		5/16										
	SXL *G4-109.5	9.5		3/8										
	SXL *G4-110	10	1/8											
SXL *G4-112	12													
L2	SXL *G4-212.7	12.7		1/2	42	26	33	0.6	30	70	26	56	3	M6 × 25
	SXL *G4-213.5	13.5	1/4											
	SXL *G4-214	14												
	SXL *G4-215	15												
	SXL *G4-216	16	5/8											
	SXL *G4-217.2	17.2	3/8											
SXL *G4-218	18													
L3	SXL *G4-319	19		3/4	50	33	36	0.6	30	78	33	64	3	M6 × 30
	SXL *G4-320	20												
	SXL *G4-321.3	21.3	1/2											
	SXL *G4-322	22	7/8											
	SXL *G4-325	25	1											
L4	SXL *G4-426.9	26.9	3/4		59	40	42	0.6	30	87	40	73	3	M6 × 35
	SXL *G4-428	28												
	SXL *G4-430	30												
L5	SXL *G4-532	32		1 1/4	71	52	58	0.8	30	100	52	86	3	M6 × 50
	SXL *G4-533.7	33.7	1											
	SXL *G4-535	35												
	SXL *G4-538	38	1 1/2											
	SXL *G4-540	40												
SXL *G4-542	42	1 1/4												
L6	SXL *G4-644.5	44.5		1 3/4	86	66	66	0.8	30	115	66	100	3	M6 × 60
	SXL *G4-648.3	48.3	1 1/2											
	SXL *G4-650.8	50.8	2											
L7	SXL *G4-757.2	57.2		2 1/4	121	94	93	0.8	30	150	94	136	5	M6 × 85
	SXL *G4-760.3	60.3	2											
	SXL *G4-763.5	63.5	2 1/2											
	SXL *G4-770	70	2 3/4											
	SXL *G4-773	73												
	SXL *G4-776.1	76.1	2 1/2	3										
L8	SXL *G4-888.9	88.9	3		147	120	118	0.8	30	178	120	162	5	M6 × 110
	SXL *G4-8102	102	4											

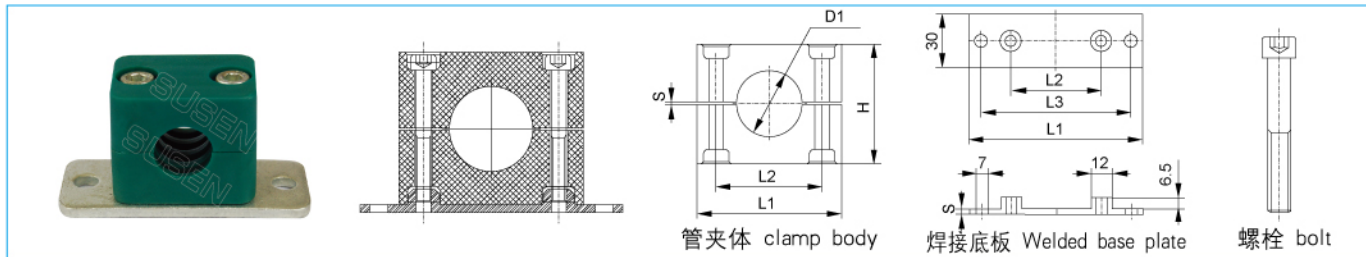
如使用不同的形式或其它要求请在订货时说明  
Other forms or requirements need to be expressed by ordering.

符合德标: DIN3015 I  
Acc. to German standard: DIN3015 I

执行国标 ( A cc.to national standard ) :JB/ZQ4008-2006

**SXL\*G5轻型管夹** SXL\*G5 light pipe clamps

内六角螺栓+管夹体+长焊接底板 Hexagon socket bolt + clamp body + long welded base plate



系列 Series	订货号 Order code	管外径 D1 O.D.	英寸内径 I.D. inch	英寸外径 Inch O.D.	管夹体 Clamp body					长焊接底板 long Welded base plate				螺栓 bolt
					L1	L2	H	S	宽度 width	L1	L2	L3	S	
L1	SXL*G5-106	6			37	20	27	0.4	30	64	20	50	3	M6 × 20
	SXL*G5-106.4	6.4		1/4										
	SXL*G5-108	8		5/16										
	SXL*G5-109.5	9.5		3/8										
	SXL*G5-110	10	1/8											
SXL*G5-112	12													
L2	SXL*G5-212.7	12.7		1/2	42	26	33	0.6	30	70	26	56	3	M6 × 25
	SXL*G5-213.5	13.5	1/4											
	SXL*G5-214	14												
	SXL*G5-215	15												
	SXL*G5-216	16	5/8											
	SXL*G5-217.2	17.2	3/8											
SXL*G5-218	18													
L3	SXL*G5-319	19		3/4	50	33	36	0.6	30	78	33	64	3	M6 × 30
	SXL*G5-320	20												
	SXL*G5-321.3	21.3	1/2											
	SXL*G5-322	22	7/8											
	SXL*G5-325	25	1											
L4	SXL*G5-426.9	26.9	3/4		59	40	42	0.6	30	87	40	73	3	M6 × 35
	SXL*G5-428	28												
	SXL*G5-430	30												
L5	SXL*G5-532	32		1 1/4	71	52	58	0.8	30	100	52	86	3	M6 × 50
	SXL*G5-533.7	33.7	1											
	SXL*G5-535	35												
	SXL*G5-538	38	1 1/2											
	SXL*G5-540	40												
SXL*G5-542	42	1 1/4												
L6	SXL*G5-644.5	44.5		1 3/4	86	66	66	0.8	30	115	66	100	3	M6 × 60
	SXL*G5-648.3	48.3	1 1/2											
	SXL*G5-650.8	50.8	2											
L7	SXL*G5-757.2	57.2		2 1/4	121	94	93	0.8	30	150	94	136	3	M6 × 85
	SXL*G5-760.3	60.3	2											
	SXL*G5-763.5	63.5	2 1/2											
	SXL*G5-770	70	2 3/4											
	SXL*G5-773	73												
	SXL*G5-776.1	76.1	2 1/2	3										
L8	SXL*G5-888.9	88.9	3		147	120	118	0.8	30	178	120	162	3	M6 × 110
	SXL*G5-8102	102	4											

如使用不同的形式或其它要求请在订货时说明  
Other forms or requirements need to be expressed by ordering.

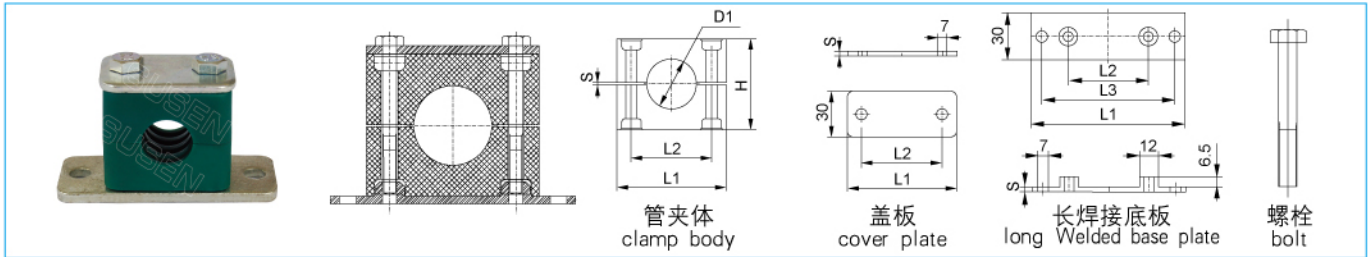
符合德标: DIN3015 I  
Acc. to German standard: DIN3015 I



执行国标 ( A cc.to national standard ) :JB/ZQ4008-2006

**SXL \*G6轻型管夹 SXL \*G6 light pipe clamps**

外六角螺栓+盖板+管夹体+长焊接底板 Hexagon head bolt + cover plate + clamp body + long welded base plate



系列 Series	订货号 Order code	管 外 径 D1 O.D.	英寸 内 径 I.D. inch	英寸 外 径 Inch O.D.	管夹体 clamp body					盖板 cover plate			长焊接底板 long Welded base plate				螺栓 bolt		
					L1	L2	H	S	宽 width	L1	L2	S	L1	L2	L3	S			
L1	SXL *G6-106	6																	
	SXL *G6-106.4	6.4		1/4															
	SXL *G6-108	8		5/16	37	20	27	0.4	30	37	20	3	64	20	50	3			M6 × 30
	SXL *G6-109.5	9.5		3/8															
	SXL *G6-110	10	1/8																
SXL *G6-112	12																		
L2	SXL *G6-212.7	12.7		1/2															
	SXL *G6-213.5	13.5	1/4																
	SXL *G6-214	14			42	26	33	0.6	30	47	26	3	70	26	56	3			M6 × 35
	SXL *G6-215	15																	
	SXL *G6-216	16		5/8															
	SXL *G6-217.2	17.2	3/8																
SXL *G6-218	18																		
L3	SXL *G6-319	19		3/4															
	SXL *G6-320	20																	
	SXL *G6-321.3	21.3	1/2		50	33	36	0.6	30	50	33	3	78	33	64	3			M6 × 40
	SXL *G6-322	22		7/8															
	SXL *G6-325	25		1															
L4	SXL *G6-426.9	26.9	3/4																
	SXL *G6-428	28			59	40	42	0.6	30	59	40	3	87	40	73	3			M6 × 45
	SXL *G6-430	30																	
L5	SXL *G6-532	32		1 1/4															
	SXL *G6-533.7	33.7	1																
	SXL *G6-535	35			71	52	58	0.8	30	71	52	3	100	52	86	3			M6 × 60
	SXL *G6-538	38		1 1/2															
	SXL *G6-540	40																	
SXL *G6-542	42	1 1/4																	
L6	SXL *G6-644.5	44.5		1 3/4															
	SXL *G6-648.3	48.3	1 1/2		86	66	66	0.8	30	86	66	3	115	66	100	3			M6 × 70
	SXL *G6-650.8	50.8		2															
L7	SXL *G6-757.2	57.2		2 1/4															
	SXL *G6-760.3	60.3	2																
	SXL *G6-763.5	63.5		2 1/2	121	94	93	0.8	30	121	94	5	150	94	136	3			M6 × 100
	SXL *G6-770	70		2 3/4															
	SXL *G6-773	73																	
	SXL *G6-776.1	76.1	2 1/2	3															
L8	SXL *G6-888.9	88.9	3																
	SXL *G6-8102	102		4	147	120	118	0.8	30	147	120	5	178	120	162	3			M6 × 125

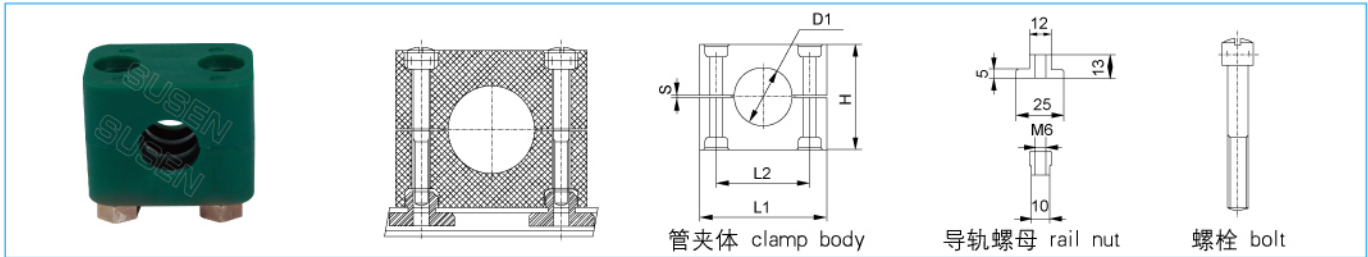
如使用不同的形式或其它要求请在订货时说明  
Other forms or requirements need to be expressed by ordering.

符合德标: DIN3015 I  
Acc. to German standard: DIN3015 I

执行国标 ( A cc.to national standard ) :JB/ZQ4008-2006

**SXL\*G7轻型管夹** SXL\*G7 light pipe clamps

开槽螺栓+管夹体+导轨螺母 Grooved bolt + clamp body + rail nut



系列 Series	订货号 Order code	管 外 径 D1 O.D.	英寸 内径 I.D., inch	英寸 外径 Inch O.D.	管夹体 Clamp body					螺栓 bolt
					L1	L2	H	S	宽 width	
L1	SXL*G7-106	6			37	20	27	0.4	30	M6 × 20
	SXL*G7-106.4	6.4		1/4						
	SXL*G7-108	8		5/16						
	SXL*G7-109.5	9.5		3/8						
	SXL*G7-110	10	1/8							
L2	SXL*G7-112	12			42	26	33	0.6	30	M6 × 25
	SXL*G7-212.7	12.7		1/2						
	SXL*G7-213.5	13.5	1/4							
	SXL*G7-214	14								
	SXL*G7-215	15								
	SXL*G7-216	16		5/8						
L3	SXL*G7-217.2	17.2	3/8		50	33	36	0.6	30	M6 × 30
	SXL*G7-218	18								
	SXL*G7-319	19		3/4						
	SXL*G7-320	20								
	SXL*G7-321.3	21.3	1/2							
L4	SXL*G7-322	22		7/8	59	40	42	0.6	30	M6 × 35
	SXL*G7-325	25		1						
	SXL*G7-426.9	26.9	3/4							
L5	SXL*G7-430	30			71	52	58	0.8	30	M6 × 50
	SXL*G7-532	32		1 1/4						
	SXL*G7-533.7	33.7	1							
	SXL*G7-535	35								
	SXL*G7-538	38		1 1/2						
L6	SXL*G7-540	40			86	66	66	0.8	30	M6 × 60
	SXL*G7-542	42	1 1/4							
	SXL*G7-644.5	44.5		1 3/4						
L7	SXL*G7-648.3	48.3	1 1/2		121	94	93	0.8	30	M6 × 85
	SXL*G7-650.8	50.8		2						
	SXL*G7-757.2	57.2		2 1/4						
	SXL*G7-760.3	60.3	2							
	SXL*G7-763.5	63.5		2 1/2						
	SXL*G7-770	70		2 3/4						
L8	SXL*G7-773	73			147	120	118	0.8	30	M6 × 110
	SXL*G7-776.1	76.1	2 1/2	3						
	SXL*G7-888.9	88.9	3							
	SXL*G7-8102	102								

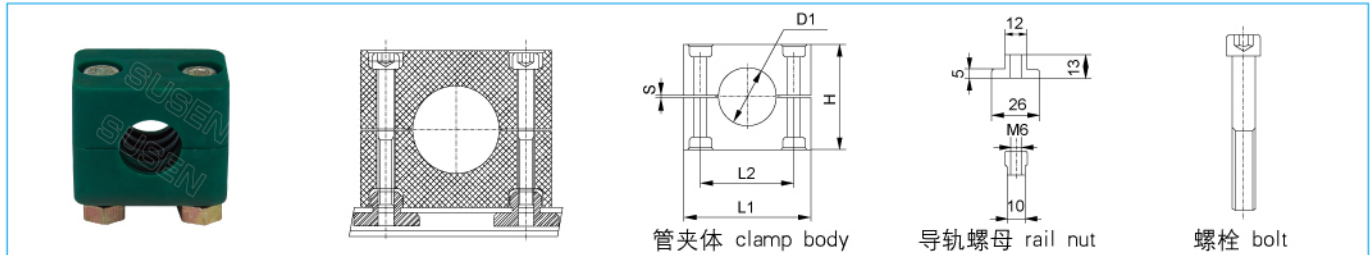
如使用不同的形式或其它要求请在订货时说明  
Other forms or requirements need to be expressed by ordering.

符合德标: DIN3015 I  
Acc. to German standard: DIN3015 I

执行国标 ( A cc.to national standard ) :JB/ZQ4008-2006

**SXL \*G8轻型管夹** SXL \*G8 light pipe clamps

内六角螺栓+管夹体+导轨螺母 Hexagon socket bolt + clamp body + rail nut



系列 Series	订货号 Order code	管 外 径 D1 O.D.	英寸 内径 I.D., inch	英寸 外径 Inch O.D.	管夹体 Clamp body					螺栓 bolt
					L1	L2	H	S	宽 width	
L1	SXL *G8-106	6			37	20	27	0.4	30	M6 × 20
	SXL *G8-106.4	6.4		1/4						
	SXL *G8-108	8		5/16						
	SXL *G8-109.5	9.5		3/8						
	SXL *G8-110	10	1/8							
SXL *G8-112	12									
L2	SXL *G8-212.7	12.7		1/2	42	26	33	0.6	30	M6 × 25
	SXL *G8-213.5	13.5	1/4							
	SXL *G8-214	14								
	SXL *G8-215	15								
	SXL *G8-216	16		5/8						
	SXL *G8-217.2	17.2	3/8							
SXL *G8-218	18									
L3	SXL *G8-319	19		3/4	50	33	36	0.6	30	M6 × 30
	SXL *G8-320	20								
	SXL *G8-321.3	21.3	1/2							
	SXL *G8-322	22		7/8						
	SXL *G8-325	25		1						
L4	SXL *G8-426.9	26.9	3/4		59	40	42	0.6	30	M6 × 35
	SXL *G8-428	28								
	SXL *G8-430	30								
L5	SXL *G8-532	32		1 1/4	71	52	58	0.8	30	M6 × 50
	SXL *G8-533.7	33.7	1							
	SXL *G8-535	35								
	SXL *G8-538	38		1 1/2						
	SXL *G8-540	40								
SXL *G8-542	42	1 1/4								
L6	SXL *G8-644.5	44.5		1 3/4	86	66	66	0.8	30	M6 × 60
	SXL *G8-648.3	48.3	1 1/2							
	SXL *G8-650.8	50.8		2						
L7	SXL *G8-757.2	57.2		2 1/4	121	94	93	0.8	30	M6 × 85
	SXL *G8-760.3	60.3	2							
	SXL *G8-763.5	63.5		2 1/2						
	SXL *G8-770	70		2 3/4						
	SXL *G8-773	73								
	SXL *G8-776.1	76.1	2 1/2	3						
L8	SXL *G8-888.9	88.9	3		147	120	118	0.8	30	M6 × 110
	SXL *G8-8102	102		4						

如使用不同的形式或其它要求请在订货时说明  
Other forms or requirements need to be expressed by ordering.

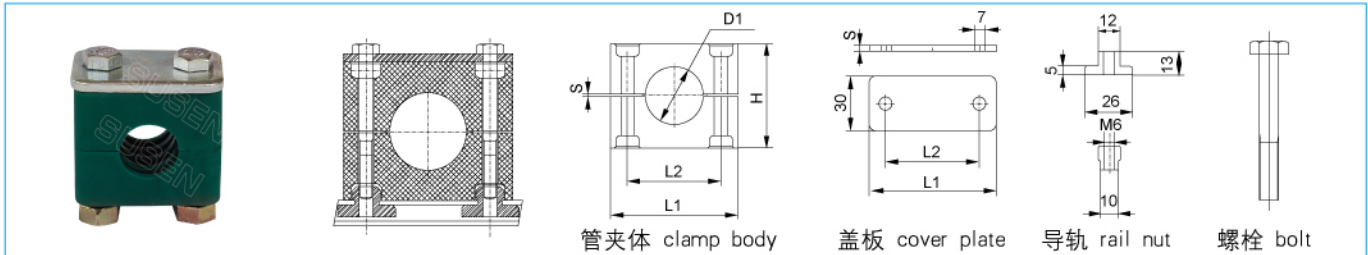
符合德标: DIN3015 I  
Acc. to German standard: DIN3015 I



执行国标 ( A cc.to national standard ) :JB/ZQ4008-2006

**SXL \*G9轻型管夹** SXL \*G9 light pipe clamps

外六角螺栓+盖板+管夹体+导轨螺母 Hexagon head bolt+cover plate+clamp body+rail nut



系列 Series	订货号 Order code	管外径 O.D. D1	英寸内径 I.D. inch	英寸外径 Inch O.D.	管夹体 clamp body					盖板 cover plate			螺栓 bolt
					L1	L2	H	S	宽 width	L1	L2	S	
L1	SXL *G8-106	6			37	20	27	0.4	30	37	20	3	M6 × 30
	SXL *G8-106.4	6.4		1/4									
	SXL *G8-108	8		5/16									
	SXL *G8-109.5	9.5		3/8									
	SXL *G8-110	10	1/8										
SXL *G8-112	12												
L2	SXL *G8-212.7	12.7		1/2	42	26	33	0.6	30	42	26	3	M6 × 35
	SXL *G8-213.5	13.5	1/4										
	SXL *G8-214	14											
	SXL *G8-215	15											
	SXL *G8-216	16	5/8										
	SXL *G8-217.2	17.2	3/8										
SXL *G8-218	18												
L3	SXL *G8-319	19		3/4	50	33	36	0.6	30	50	33	3	M6 × 40
	SXL *G8-320	20											
	SXL *G8-321.3	21.3	1/2										
	SXL *G8-322	22	7/8										
	SXL *G8-325	25	1										
L4	SXL *G8-426.9	26.9	3/4		59	40	42	0.6	30	59	40	3	M6 × 45
	SXL *G8-428	28											
	SXL *G8-430	30											
L5	SXL *G8-532	32		1 1/4	71	52	58	0.8	30	71	52	3	M6 × 60
	SXL *G8-533.7	33.7	1										
	SXL *G8-535	35											
	SXL *G8-538	38	1 1/2										
	SXL *G8-540	40											
SXL *G8-542	42	1 1/4											
L6	SXL *G8-644.5	44.5		1 3/4	86	66	66	0.8	30	86	66	3	M6 × 70
	SXL *G8-648.3	48.3	1 1/2										
	SXL *G8-650.8	50.8	2										
L7	SXL *G8-757.2	57.2		2 1/4	121	94	93	0.8	30	121	94	5	M6 × 100
	SXL *G8-760.3	60.3	2										
	SXL *G8-763.5	63.5		2 1/2									
	SXL *G8-770	70	2 3/4										
	SXL *G8-773	73											
	SXL *G8-776.1	76.1	2 1/2	3									
L8	SXL *G8-888.9	88.9	3		147	120	118	0.8	30	147	120	5	M6 × 125
	SXL *G8-8102	102	4										

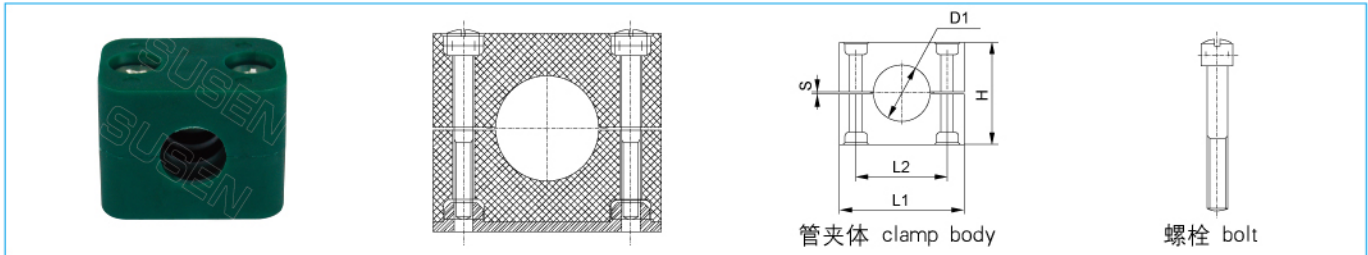
如使用不同的形式或其它要求请在订货时说明  
Other forms or requirements need to be expressed by ordering.

符合德标: DIN3015 I  
Acc. to German standard: DIN3015 I

执行国标 ( A cc.to national standard ) :JB/ZQ4008-2006

SXL\*G10轻型管夹 SXL\*G10 light pipe clamps

开槽螺栓+管夹体 Grooved bolt + clamp body



系列 Series	订货号 Order code	管外径 D1	英寸内径 I.D., inch	英寸外径 Inch O.D.	管夹体 Clamp body					螺栓 bolt
					L1	L2	H	S	宽 width	
L1	SXL*G10-106	6			37	20	27	0.4	30	M6 × 20
	SXL*G10-106.4	6.4		1/4						
	SXL*G10-108	8		5/16						
	SXL*G10-109.5	9.5		3/8						
	SXL*G10-110	10	1/8							
SXL*G10-112	12									
L2	SXL*G10-212.7	12.7		1/2	42	26	33	0.6	30	M6 × 25
	SXL*G10-213.5	13.5	1/4							
	SXL*G10-214	14								
	SXL*G10-215	15								
	SXL*G10-216	16	5/8							
SXL*G10-217.2	17.2	3/8								
SXL*G10-218	18									
L3	SXL*G10-319	19		3/4	50	33	36	0.6	30	M6 × 30
	SXL*G10-320	20								
	SXL*G10-321.3	21.3	1/2							
	SXL*G10-322	22	7/8							
SXL*G10-325	25	1								
L4	SXL*G10-426.9	26.9	3/4		59	40	42	0.6	30	M6 × 35
	SXL*G10-428	28								
	SXL*G10-430	30								
L5	SXL*G10-532	32		1 1/4	71	52	58	0.8	30	M6 × 50
	SXL*G10-533.7	33.7	1							
	SXL*G10-535	35								
	SXL*G10-538	38	1 1/2							
	SXL*G10-540	40								
SXL*G10-542	42	1 1/4								
L6	SXL*G10-644.5	44.5		1 3/4	86	66	66	0.8	30	M6 × 60
	SXL*G10-648.3	48.3	1 1/2							
	SXL*G10-650.8	50.8	2							
L7	SXL*G10-757.2	57.2		2 1/4	121	94	93	0.8	30	M6 × 85
	SXL*G10-760.3	60.3	2							
	SXL*G10-763.5	63.5		2 1/2						
	SXL*G10-770	70	2 3/4							
	SXL*G10-773	73								
SXL*G10-776.1	76.1	2 1/2	3							
L8	SXL*G10-888.9	88.9	3		147	120	118	0.8	30	M6 × 110
	SXL*G10-8102	102		4						

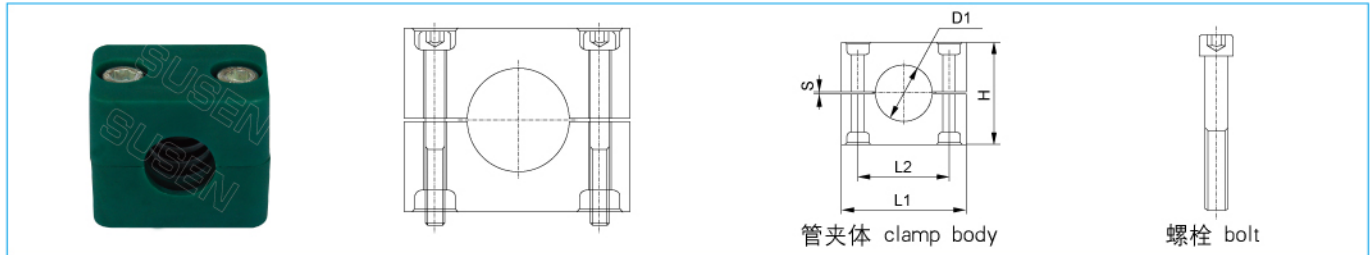
如使用不同的形式或其它要求请在订货时说明  
Other forms or requirements need to be expressed by ordering.

符合德标: DIN3015 I  
Acc. to German standard: DIN3015 I

执行国标 ( A cc.to national standard ) :JB/ZQ4008-2006

**SXL\*G11轻型管夹** SXL\*G11 light pipe clamps

内六角螺栓+管夹体 Hexagon socket bolt + clamp body



系列 Series	订货号 Order code	管 外 径 D1 O.D.	英寸 内径 I.D., inch	英寸 外径 Inch O.D.	管夹体 Clamp body					螺栓 bolt
					L1	L2	H	S	宽 width	
L1	SXL*G11-106	6			37	20	27	0.4	30	M6 × 20
	SXL*G11-106.4	6.4		1/4						
	SXL*G11-108	8		5/16						
	SXL*G11-109.5	9.5		3/8						
	SXL*G11-110	10	1/8							
SXL*G11-112	12									
L2	SXL*G11-212.7	12.7		1/2	42	26	33	0.6	30	M6 × 25
	SXL*G11-213.5	13.5	1/4							
	SXL*G11-214	14								
	SXL*G11-215	15								
	SXL*G11-216	16	5/8							
SXL*G11-217.2	17.2	3/8								
SXL*G11-218	18									
L3	SXL*G11-319	19		3/4	50	33	36	0.6	30	M6 × 30
	SXL*G11-320	20								
	SXL*G11-321.3	21.3	1/2							
	SXL*G11-322	22	7/8							
SXL*G11-325	25	1								
L4	SXL*G11-426.9	26.9	3/4		59	40	42	0.6	30	M6 × 35
	SXL*G11-428	28								
	SXL*G11-430	30								
L5	SXL*G11-532	32		1 1/4	71	52	58	0.8	30	M6 × 50
	SXL*G11-533.7	33.7	1							
	SXL*G11-535	35								
	SXL*G11-538	38	1 1/2							
	SXL*G11-540	40								
SXL*G11-542	42	1 1/4								
L6	SXL*G11-644.5	44.5		1 3/4	86	66	66	0.8	30	M6 × 60
	SXL*G11-648.3	48.3	1 1/2							
	SXL*G11-650.8	50.8	2							
L7	SXL*G11-757.2	57.2		2 1/4	121	94	93	0.8	30	M6 × 85
	SXL*G11-760.3	60.3	2							
	SXL*G11-763.5	63.5		2 1/2						
	SXL*G11-770	70	2 3/4							
	SXL*G11-773	73								
SXL*G11-776.1	76.1	2 1/2	3							
L8	SXL*G11-888.9	88.9	3		147	120	118	0.8	30	M6 × 110
	SXL*G11-8102	102		4						

如使用不同的形式或其它要求请在订货时说明  
Other forms or requirements need to be expressed by ordering.

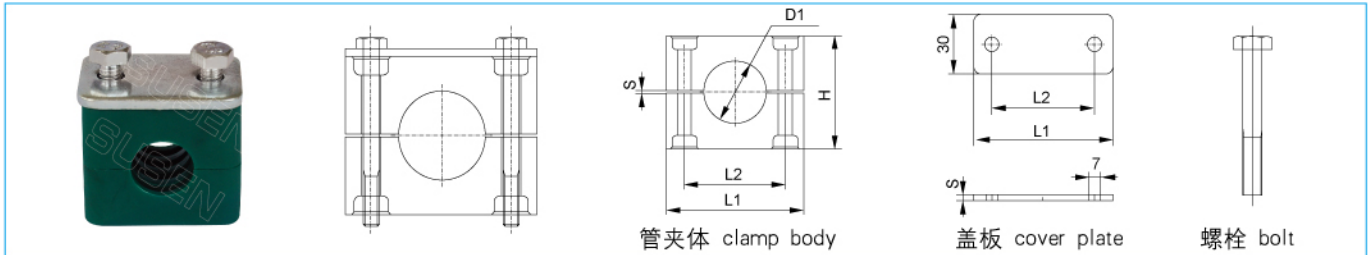
符合德标: DIN3015 I  
Acc. to German standard: DIN3015 I



执行国标 ( A cc.to national standard ) :JB/ZQ4008-2006

**SXL\*G12轻型管夹** SXL\*G12 light pipe clamps

外六角螺栓+盖板+管夹体 Hexagon head bolt + cover plate + clamp body



系列 Series	订货号 Order code	管 外 径 D1 O.D.	英寸 内 径 I.D. inch	英寸 外 径 Inch O.D.	管夹体 clamp body					盖板 cover plate			螺栓 bolt
					L1	L2	H	S	宽 width	L1	L2	S	
L1	SXL*G12-106	6			37	20	27	0.4	30	37	20	3	M6 × 30
	SXL*G12-106.4	6.4		1/4									
	SXL*G12-108	8		5/16									
	SXL*G12-109.5	9.5		3/8									
	SXL*G12-110	10	1/8										
SXL*G12-112	12												
L2	SXL*G12-212.7	12.7		1/2	42	26	33	0.6	30	42	26	3	M6 × 35
	SXL*G12-213.5	13.5	1/4										
	SXL*G12-214	14											
	SXL*G12-215	15											
	SXL*G12-216	16	5/8										
SXL*G12-217.2	17.2	3/8											
SXL*G12-218	18												
L3	SXL*G12-319	19		3/4	50	33	36	0.6	30	50	33	3	M6 × 40
	SXL*G12-320	20											
	SXL*G12-321.3	21.3	1/2										
	SXL*G12-322	22	7/8										
SXL*G12-325	25	1											
L4	SXL*G12-426.9	26.9	3/4		59	40	42	0.6	30	59	40	3	M6 × 45
	SXL*G12-428	28											
	SXL*G12-430	30											
L5	SXL*G12-532	32		1 1/4	71	52	58	0.8	30	71	52	3	M6 × 60
	SXL*G12-533.7	33.7	1										
	SXL*G12-535	35											
	SXL*G12-538	38	1 1/2										
	SXL*G12-540	40											
SXL*G12-542	42	1 1/4											
L6	SXL*G12-644.5	44.5		1 3/4	86	66	66	0.8	30	86	66	3	M6 × 70
	SXL*G12-648.3	48.3	1 1/2										
	SXL*G12-650.8	50.8	2										
L7	SXL*G12-757.2	57.2		2 1/4	121	94	93	0.8	30	121	94	5	M6 × 100
	SXL*G12-760.3	60.3	2										
	SXL*G12-763.5	63.5		2 1/2									
	SXL*G12-770	70		2 3/4									
	SXL*G12-773	73											
SXL*G12-776.1	76.1	2 1/2	3										
L8	SXL*G12-888.9	88.9	3		147	120	118	0.8	30	147	120	5	M6 × 125
	SXL*G12-8102	102		4									

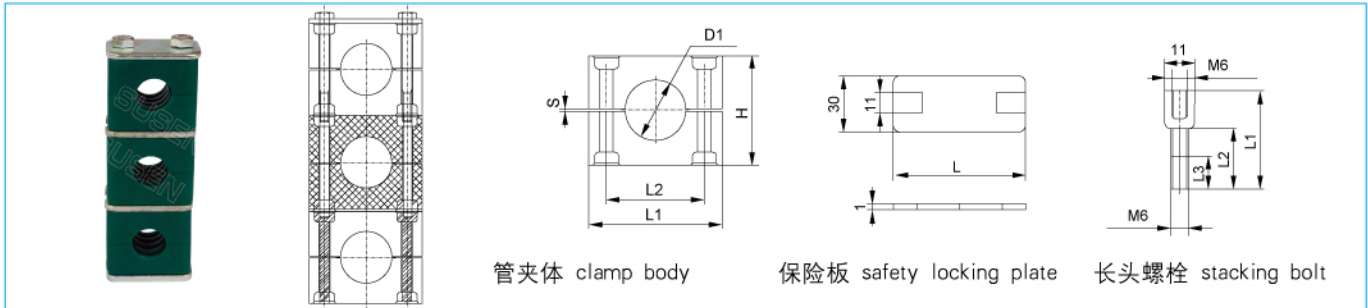
如使用不同的形式或其它要求请在订货时说明  
Other forms or requirements need to be expressed by ordering.

符合德标: DIN3015 I  
Acc. to German standard: DIN3015 I

执行国标 ( A cc.to national standard ) :JB/ZQ4008-2006

SXL\*G13轻型管夹 SXL\*G13 light pipe clamps

长头螺栓+保险板+管夹体 Stacking bolt+safety locking plate+clamp body



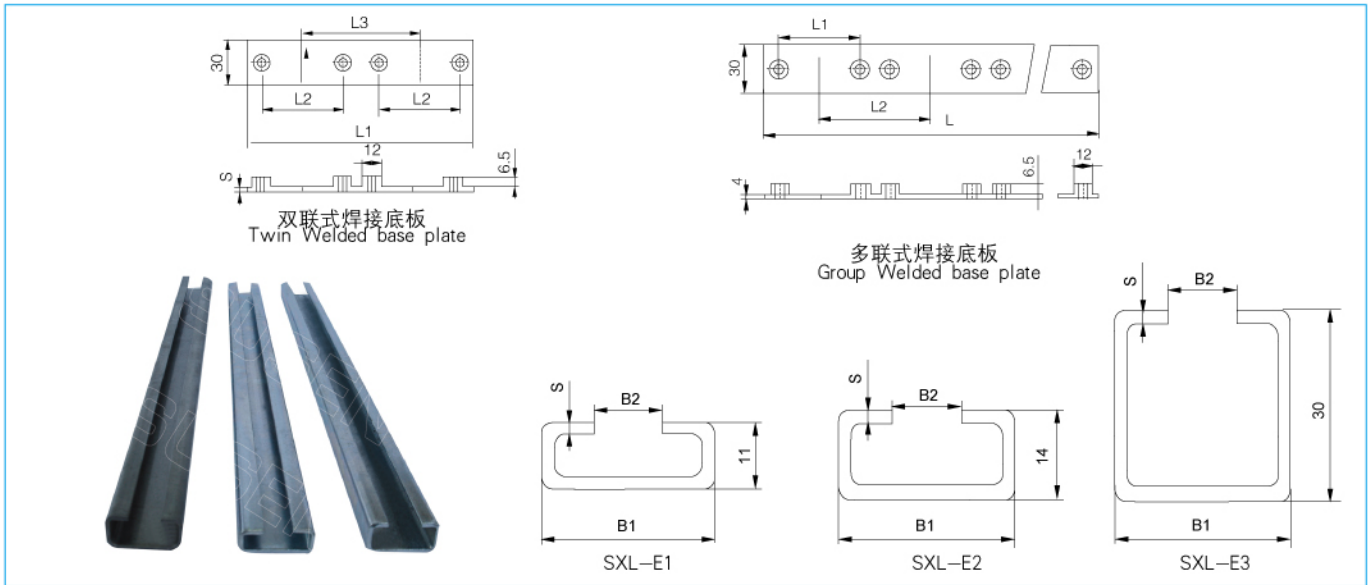
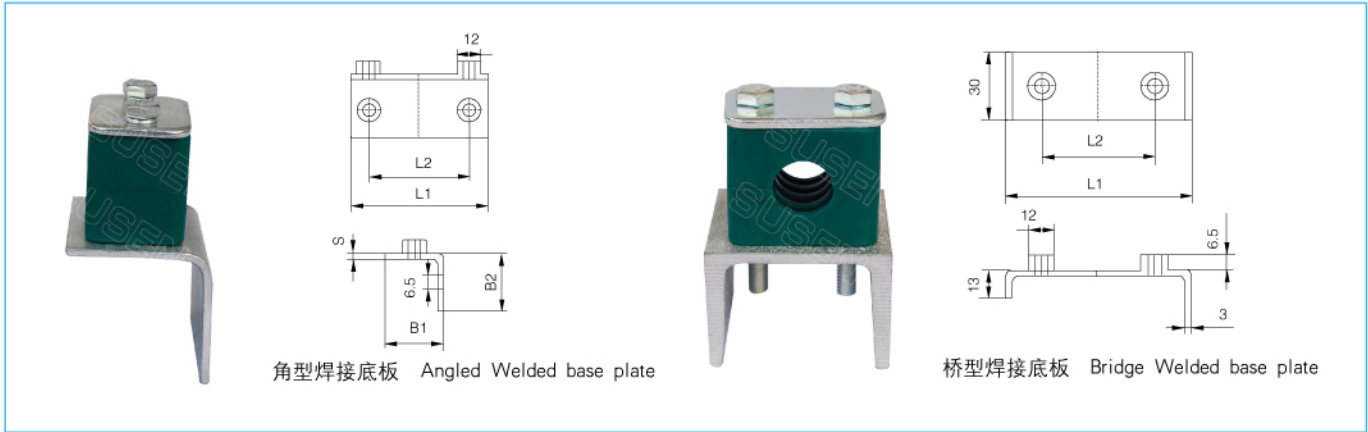
系列 series	订货号 Order code	管外 径 D1 O.D.	英寸 内径 I.D. inch	英寸 外径 Inch O.D.	管夹体 clamp body				保险板 safety locking plate	长头螺栓 stacking bolt		
					L1	L2	H	S	L	L1	L2	L3
L1	SXL*G13-106	6			37	20	27	0.4	34	34	20	12
	SXL*G13-106.4	6.4		1/4								
	SXL*G13-108	8		5/16								
	SXL*G13-109.5	9.5		3/8								
	SXL*G13-110	10	1/8									
L2	SXL*G13-112	12			42	26	33	0.6	40	40	25	12
	SXL*G13-212.7	12.7		1/2								
	SXL*G13-213.5	13.5	1/4									
	SXL*G13-214	14										
	SXL*G13-215	15										
	SXL*G13-216	16		5/8								
L3	SXL*G13-217.2	17.2	3/8		50	33	36	0.6	47	44	30	12
	SXL*G13-218	18										
	SXL*G13-319	19		3/4								
	SXL*G13-320	20										
	SXL*G13-321.3	21.3	1/2									
L4	SXL*G13-322	22		7/8	59	40	42	0.6	56	48	35	12
	SXL*G13-325	25		1								
	SXL*G13-426.9	26.9	3/4									
L5	SXL*G13-430	30			71	52	58	0.8	69	64	50	12
	SXL*G13-532	32		1 1/4								
	SXL*G13-533.7	33.7	1									
	SXL*G13-535	35										
	SXL*G13-538	38		1 1/2								
	SXL*G13-540	40										
L6	SXL*G13-542	42	1 1/4		86	66	66	0.8	85	73	60	12
	SXL*G13-644.5	44.5		1 3/4								
	SXL*G13-648.3	48.3	1 1/2									
L7	SXL*G13-650.8	50.8		2	121	94	93	0.8	117	99	85	12
	SXL*G13-757.2	57.2		2 1/4								
	SXL*G13-760.3	60.3	2									
	SXL*G13-763.5	63.5		2 1/2								
	SXL*G13-770	70		2 3/4								
	SXL*G13-773	73										
L8	SXL*G13-776.1	76.1	2 1/2	3	147	120	118	0.8	143	124	110	12
	SXL*G13-888.9	88.9	3									
	SXL*G13-8102	102		4								

如使用不同的形式或其它要求请在订货时说明  
Other forms or requirements need to be expressed by ordering.

符合德标: DIN3015 I  
Acc. to German standard: DIN3015 I

执行国标 ( Acc.to national standard ) :JB/ZQ4008-97

SXL\*其它形式底板或导轨 SXL\*bottom plates or rails of other forms



系列 Series	安装导轨 Mounting rail			双联式焊接底板 Twin Welded base plate				多联式焊接底板 Group Welded base plate			角型焊接底板 Angled Welded base plate				桥型焊接底板 Bridge Welded base plate		
	SXL-E*			SXL-D0				SXL-D1			SXL-D2				SXL-D3		
	B1	B2	S	L1	L2	L3	S	L1	L2	L3	L1	L2	B1 B2	S	L1	L2	
L1	28	11	2	77	20	37	3	More than three acc. to need 三联以上根据实际	20	37	36	20	30	3	48	20	
L2				86	26	44	3		26	44	42	26	30	3	54	26	
L3				102	33	52	3		33	52	50	33	30	3	62	33	
L4				136	40	60	3		40	60	60	40	30	3	71	40	
L5				145	52	75	3		52	75	70	52	30	3	85	52	
L6				178	66	90	3		66	90	88	66	30	3	98	66	
L7																	
L8																	

如使用不同的形式或其它要求请在订货时说明  
Other forms or requirements need to be expressed by ordering.

符合德标: DIN3015 I  
Acc. to German standard: DIN3015 I